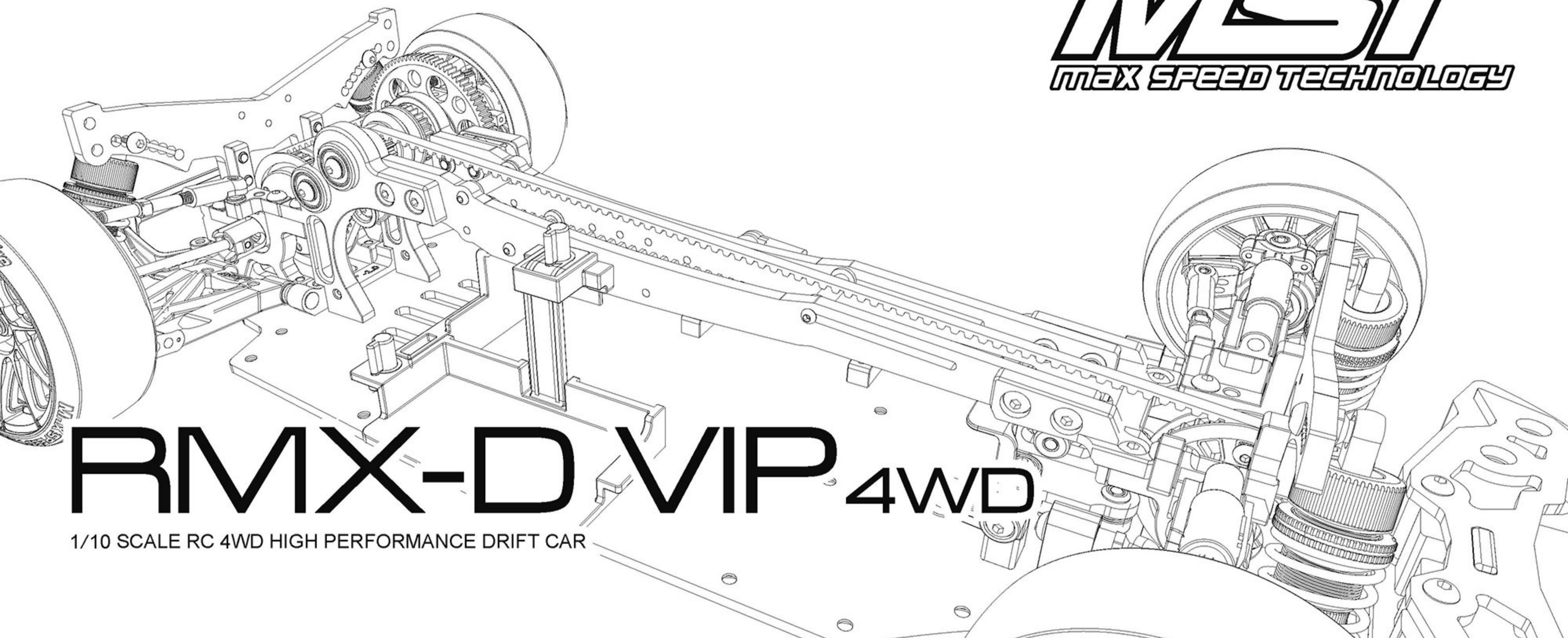


MST
MAX SPEED TECHNOLOGY



RMX-D VIP 4WD

1/10 SCALE RC 4WD HIGH PERFORMANCE DRIFT CAR

EXPLODED MANUAL

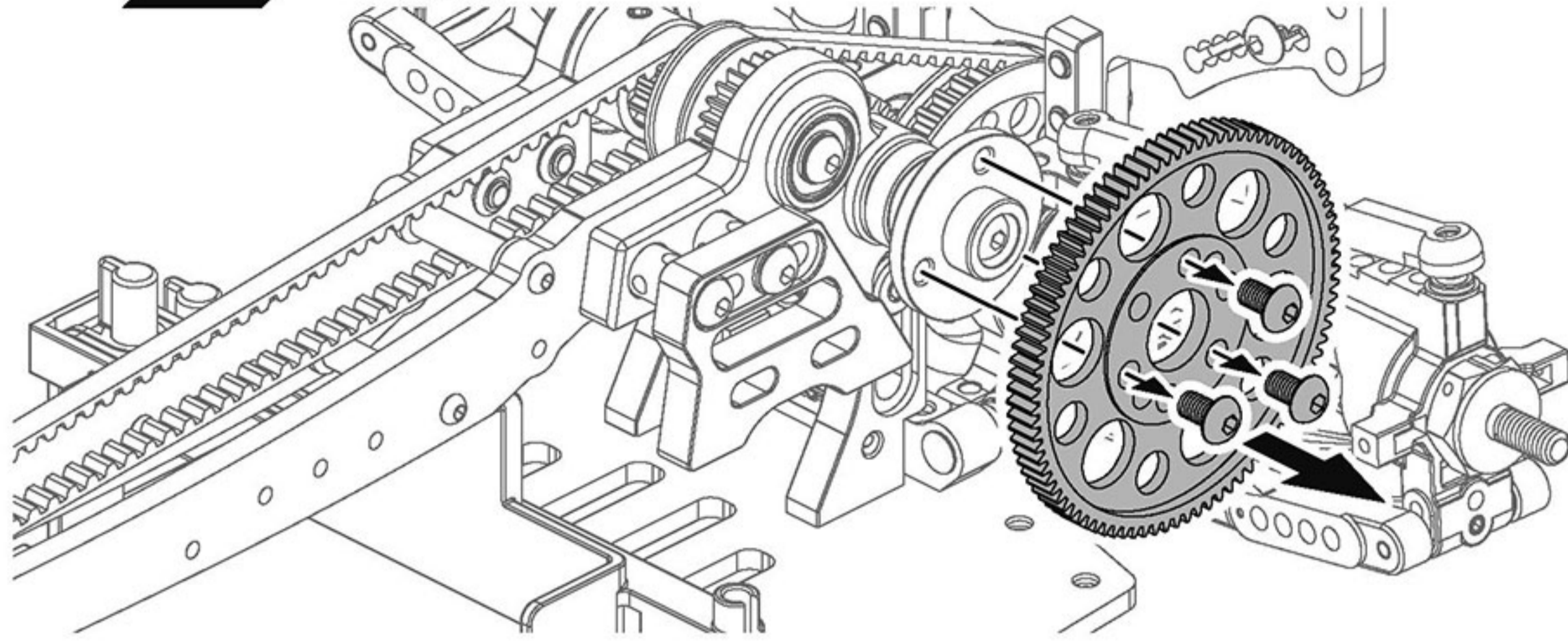
ON ROAD USE ONLY
FULL BALL BEARINGS

WHEELBASE : STANDARD 257mm (adjustable)
WIDTH : STANDARD 190mm (adjustable)
GEAR RATIO : 2.06 (37T/18T)
CASTER : 8, 12, 16 degrees variableness
CAMBER : 0 to -12 degrees

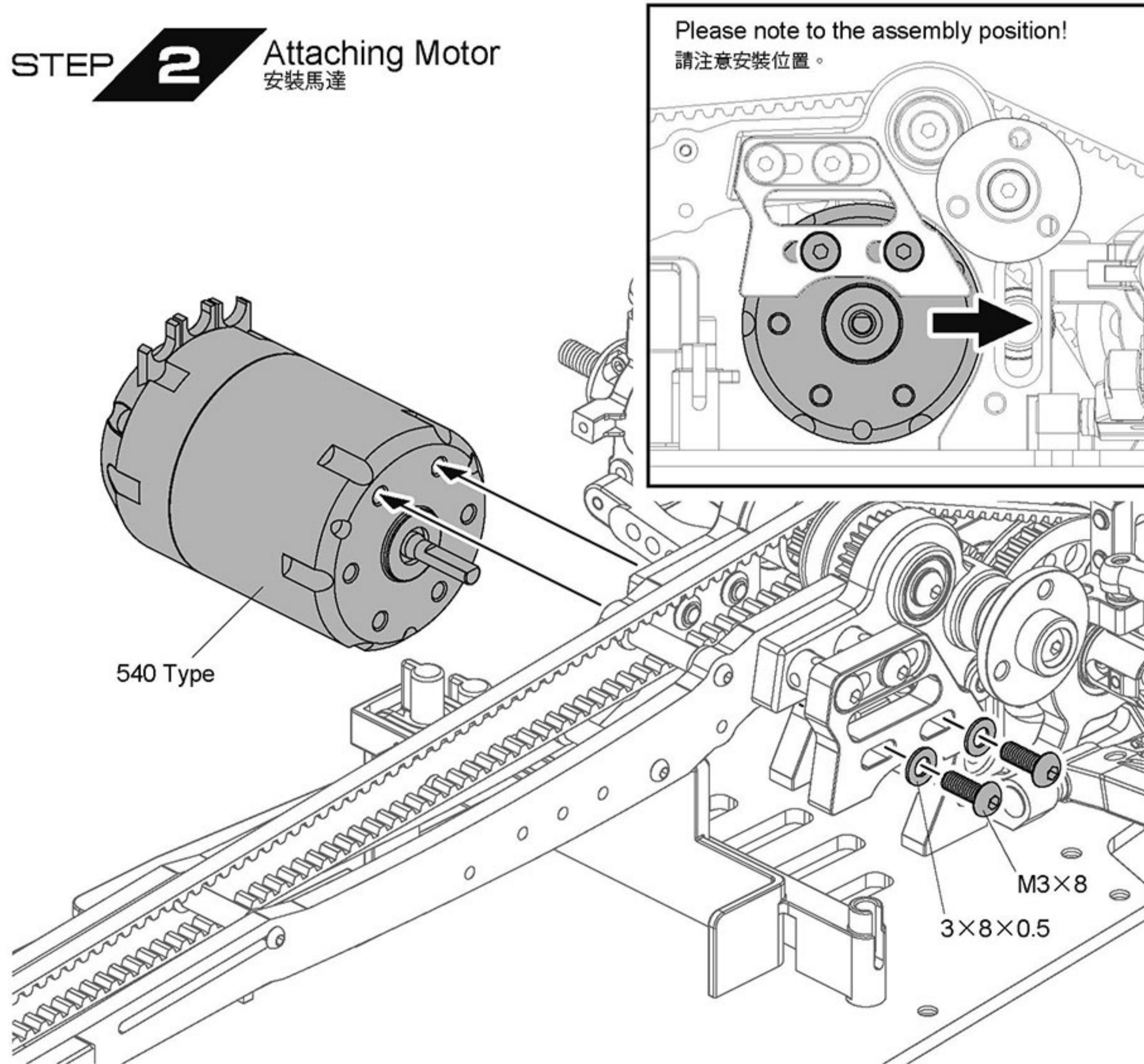
www.rc-mst.com

※ SPECIFICATION ARE SUBJECT TO CHANGE WITHOUT NOTICE

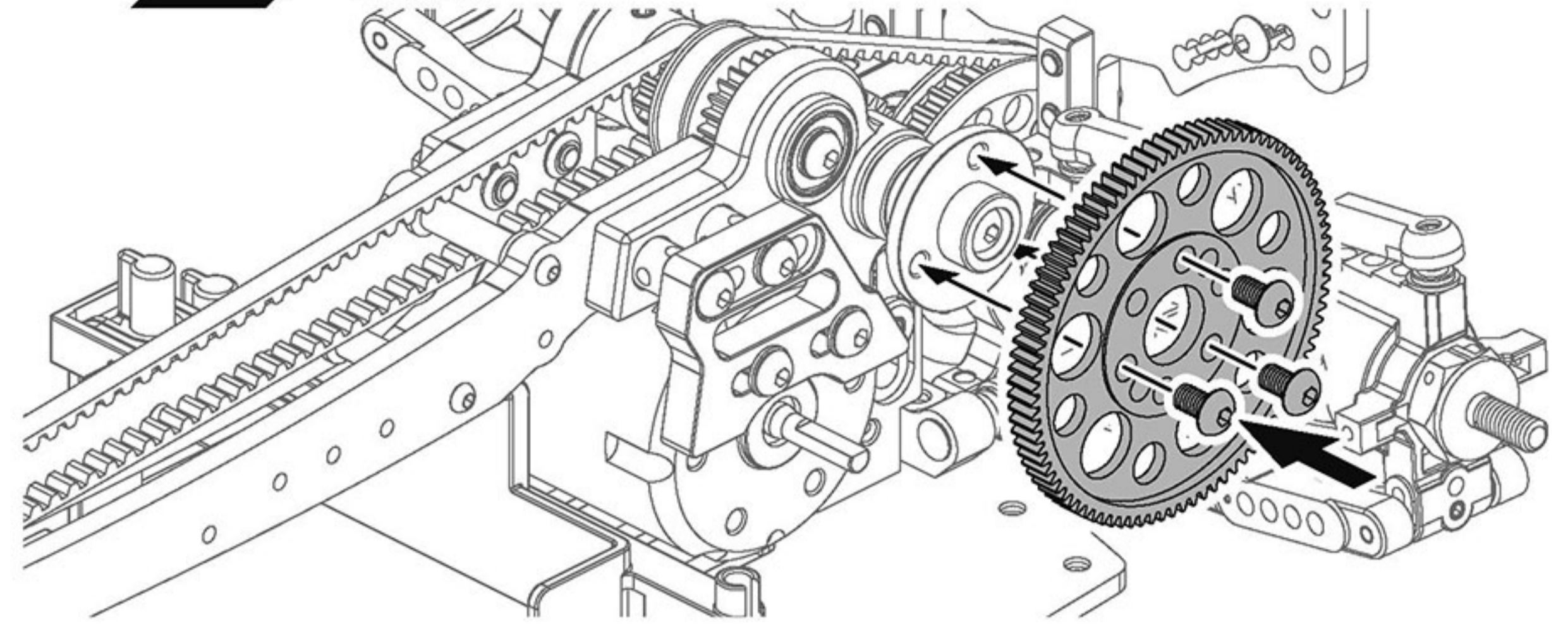
STEP 1 Remove Spur Gear
 移除大齒盤



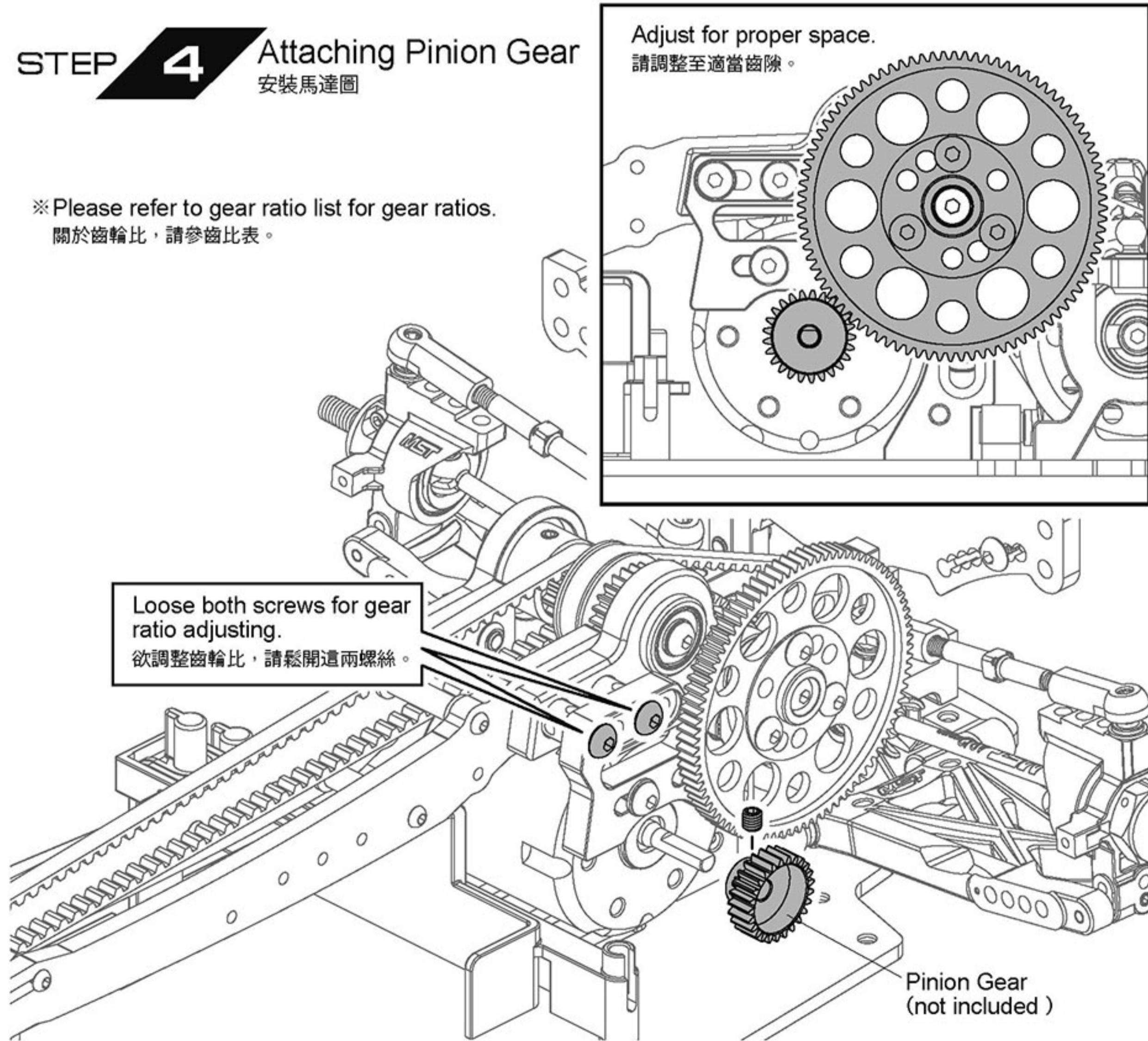
STEP 2 Attaching Motor
 安裝馬達



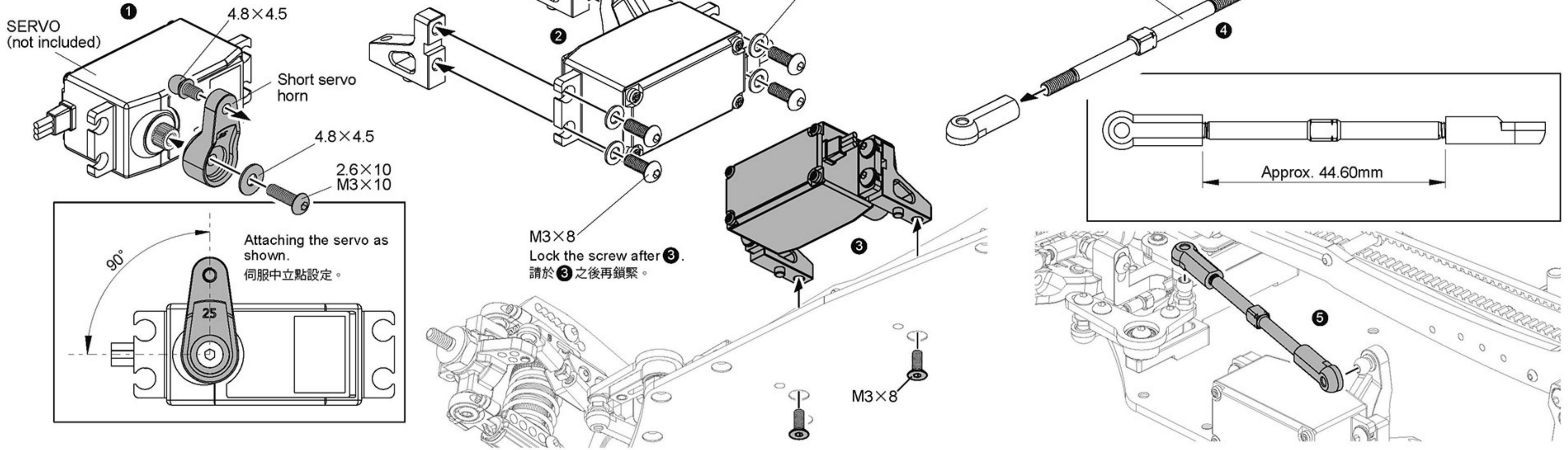
STEP 3 Attaching Spur Gear
 安裝大齒盤



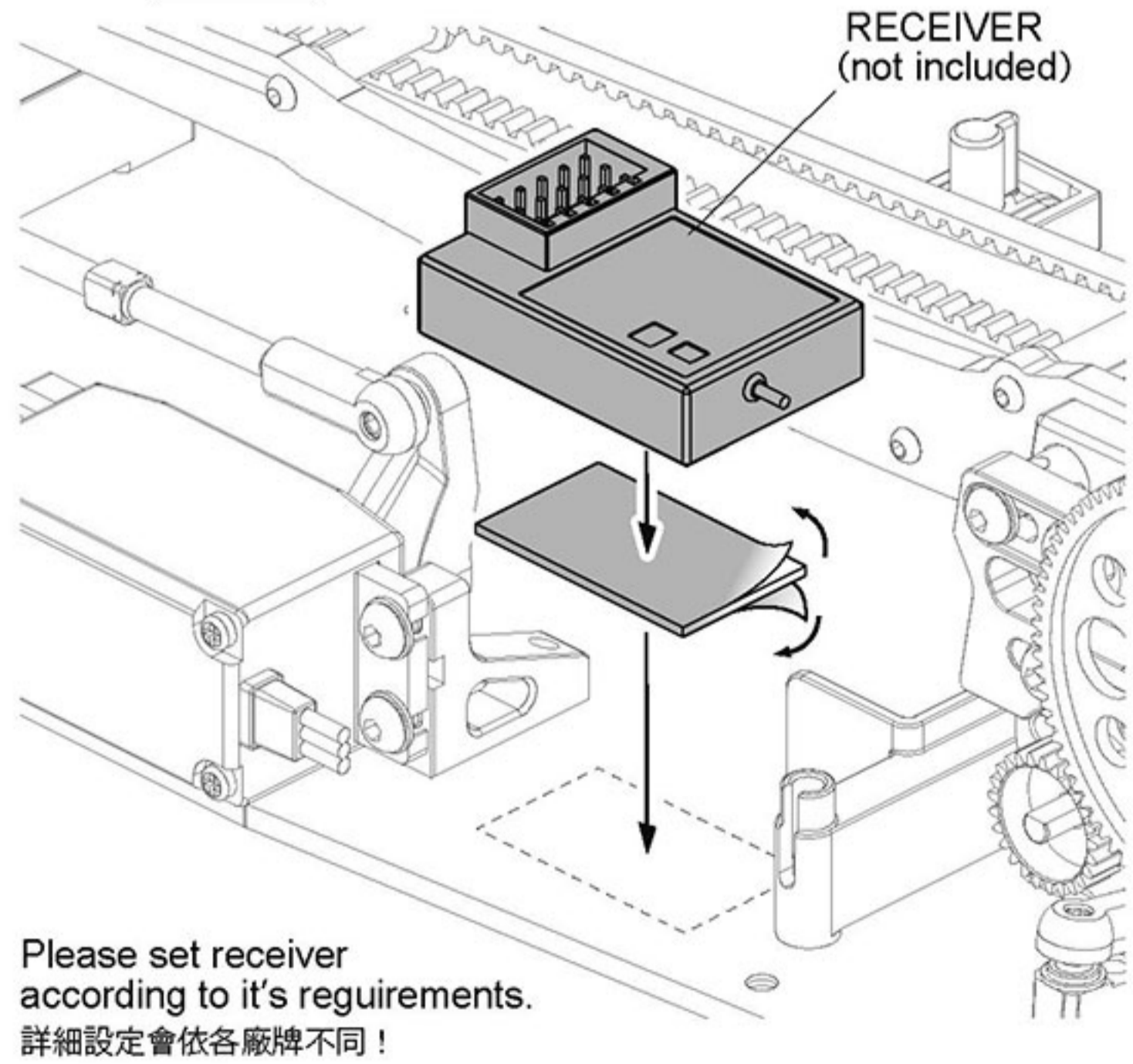
STEP 4 Attaching Pinion Gear
 安裝馬達齒



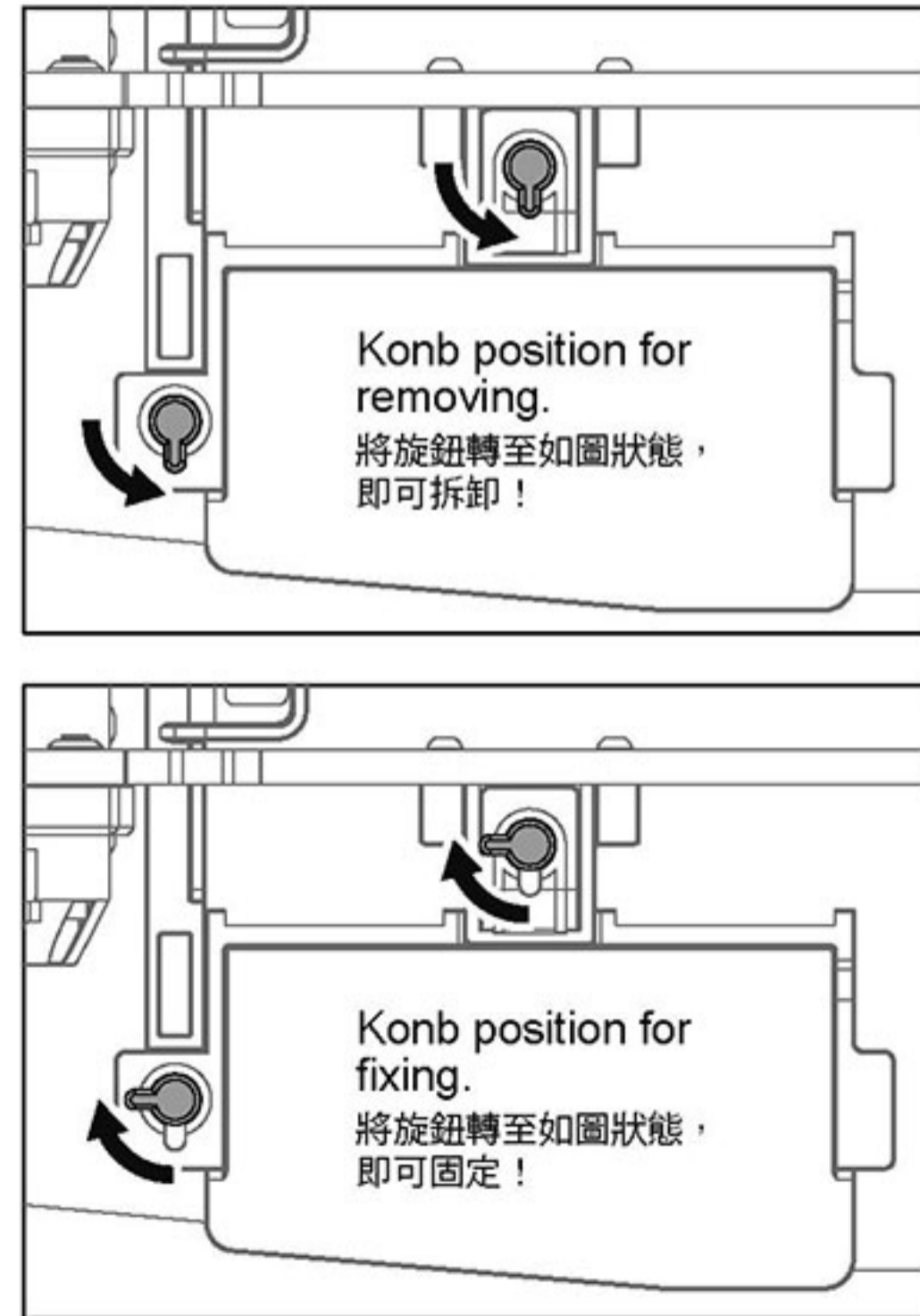
STEP 5 Steering Servo Assembly
轉向伺服組裝



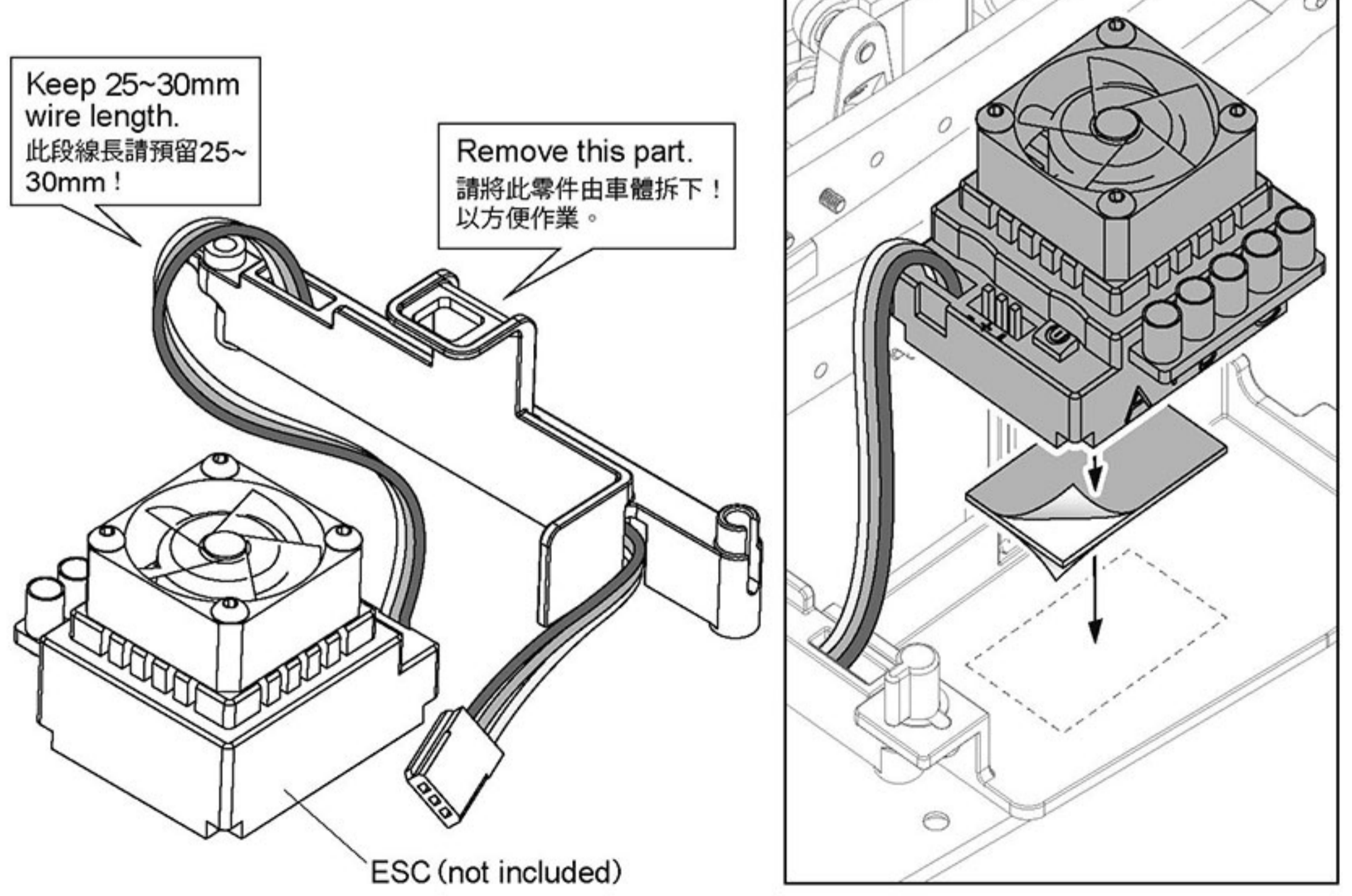
STEP 6 Attaching Receiver
安裝接收器



STEP 7 Attaching ESC Plate
拆裝變電拖盤

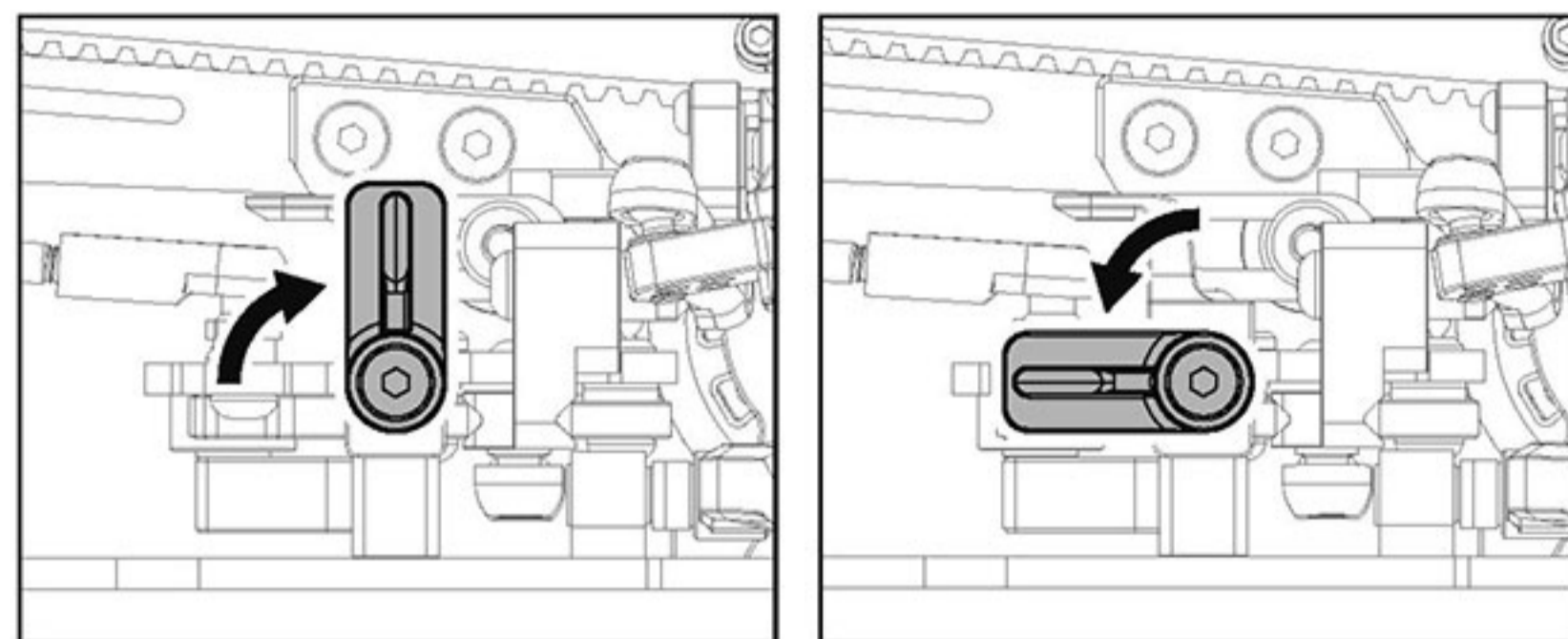


STEP 8 Attaching ESC
拆裝電子變速器



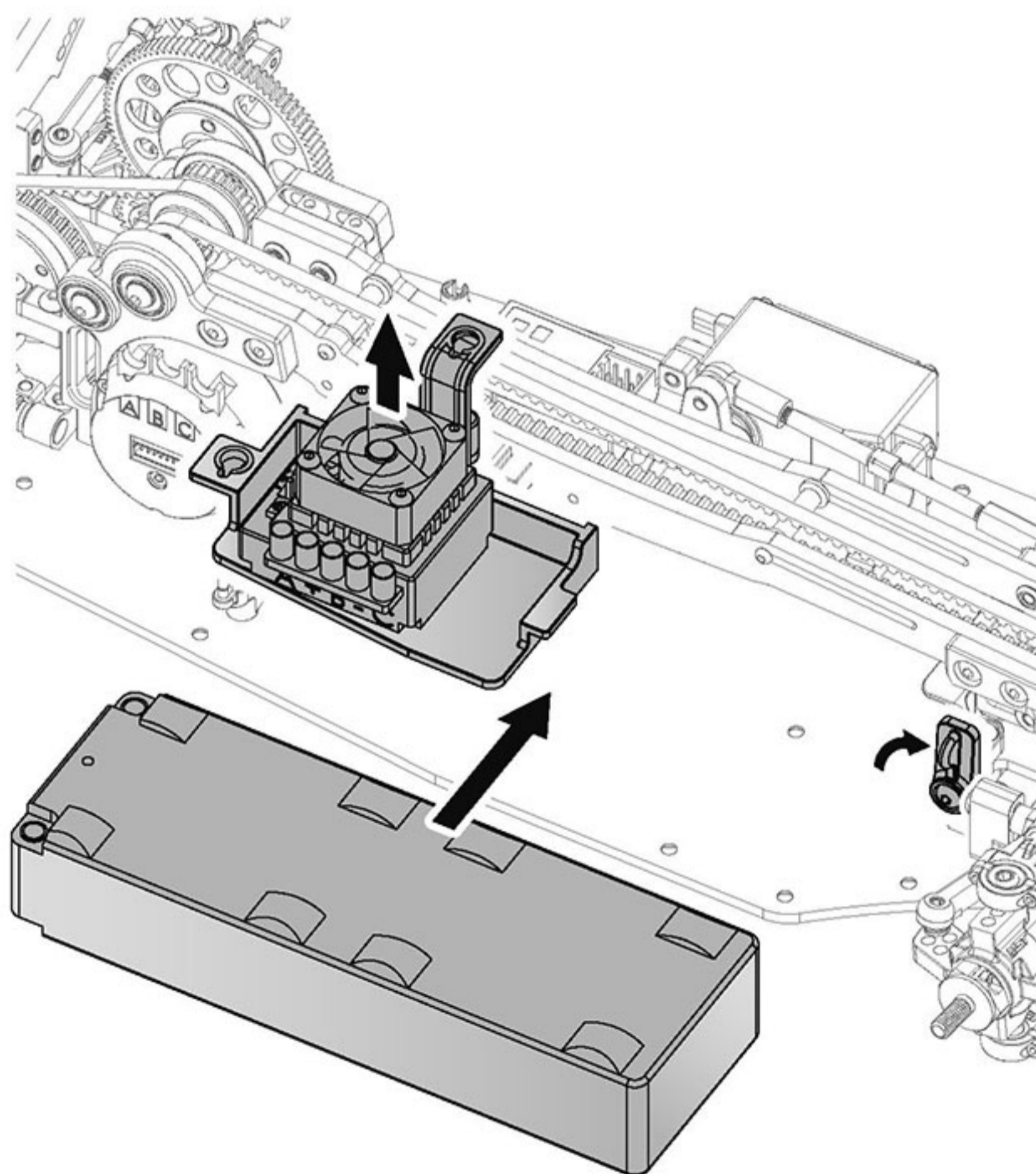
STEP 9 Attaching Battery 安裝電池

※ Notice the latch is in "Open" position for attaching battery.
注意，門栓位置是否位於“開”的狀態，才可安裝電池。



Open 開

Close 關



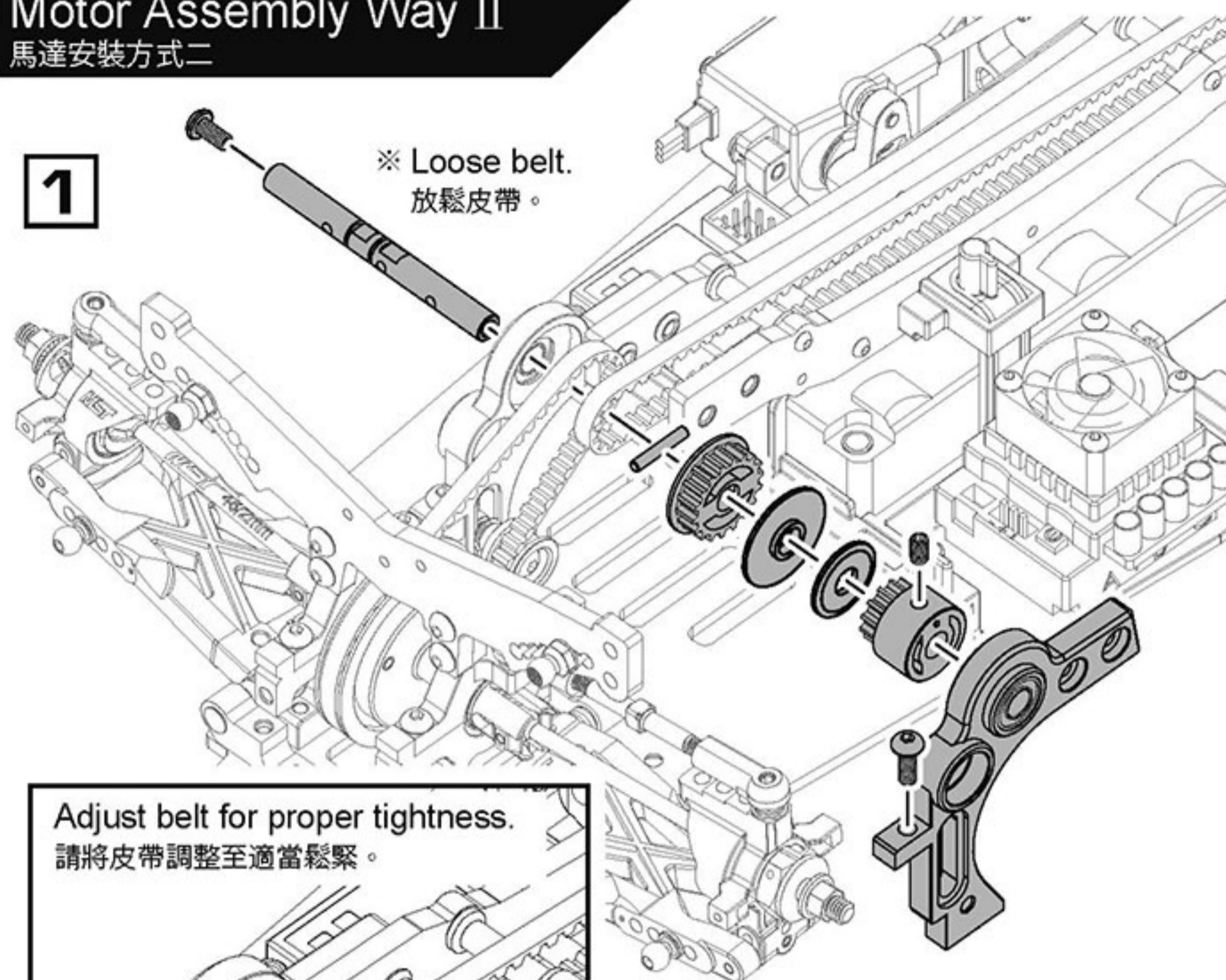
※ Recommended hard battery measurement
L140 X W48 X H26mm (not exceed).

建議使用硬殼鋰電池，規格不超過長140、寬48、高26mm。

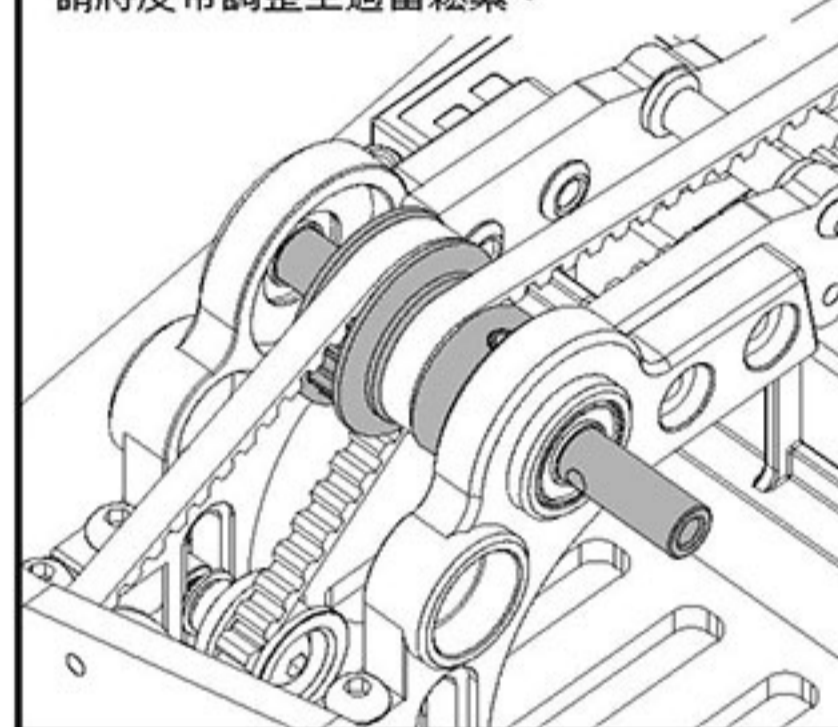
Motor Assembly Way II 馬達安裝方式二

1

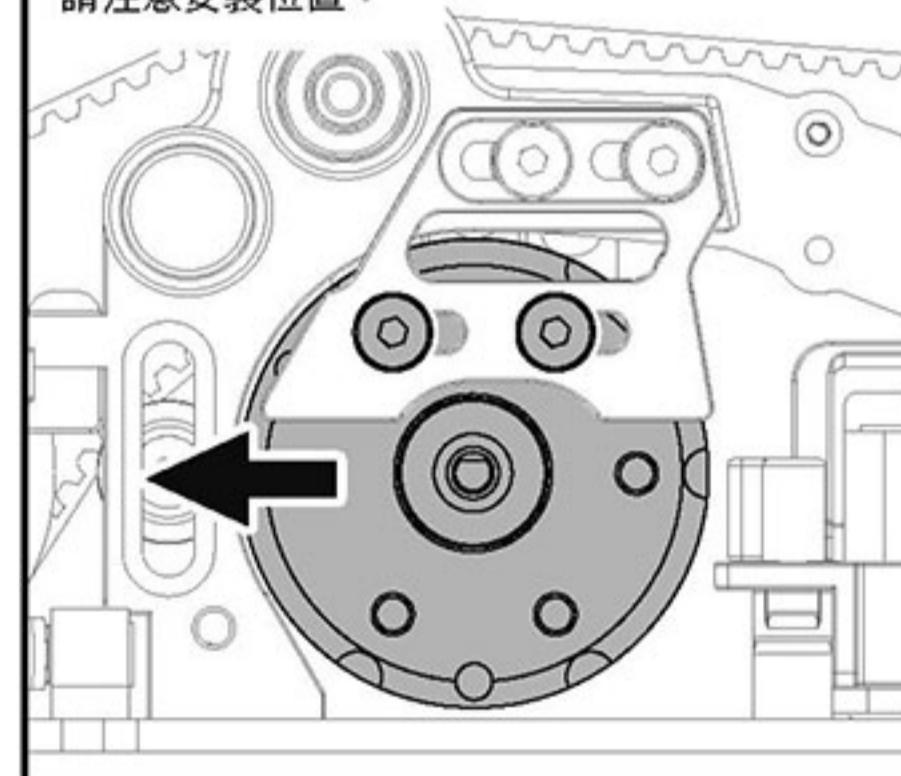
※ Loose belt.
放鬆皮帶。



Adjust belt for proper tightness.
請將皮帶調整至適當鬆緊。

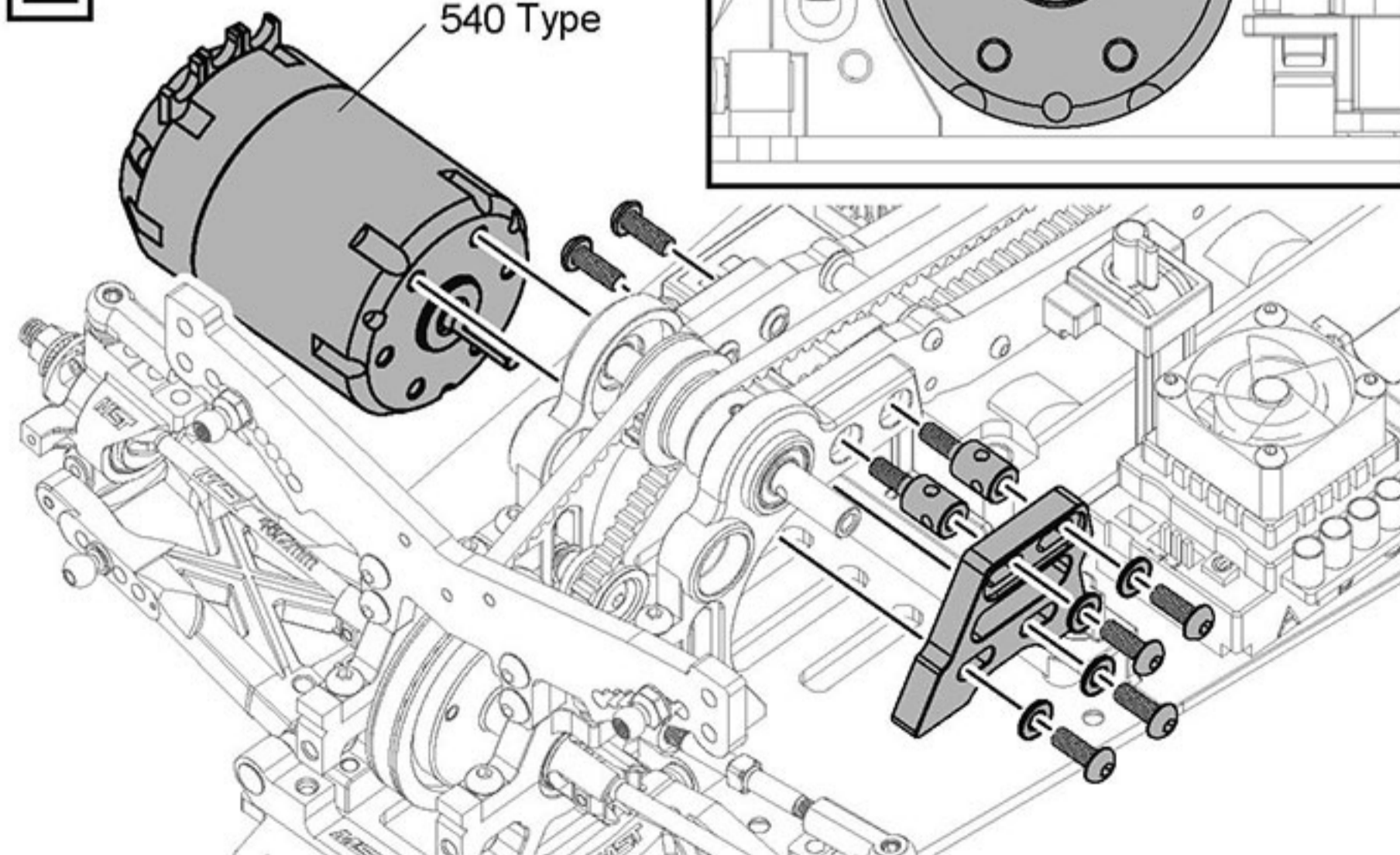


Please note to the assembly position!
請注意安裝位置。

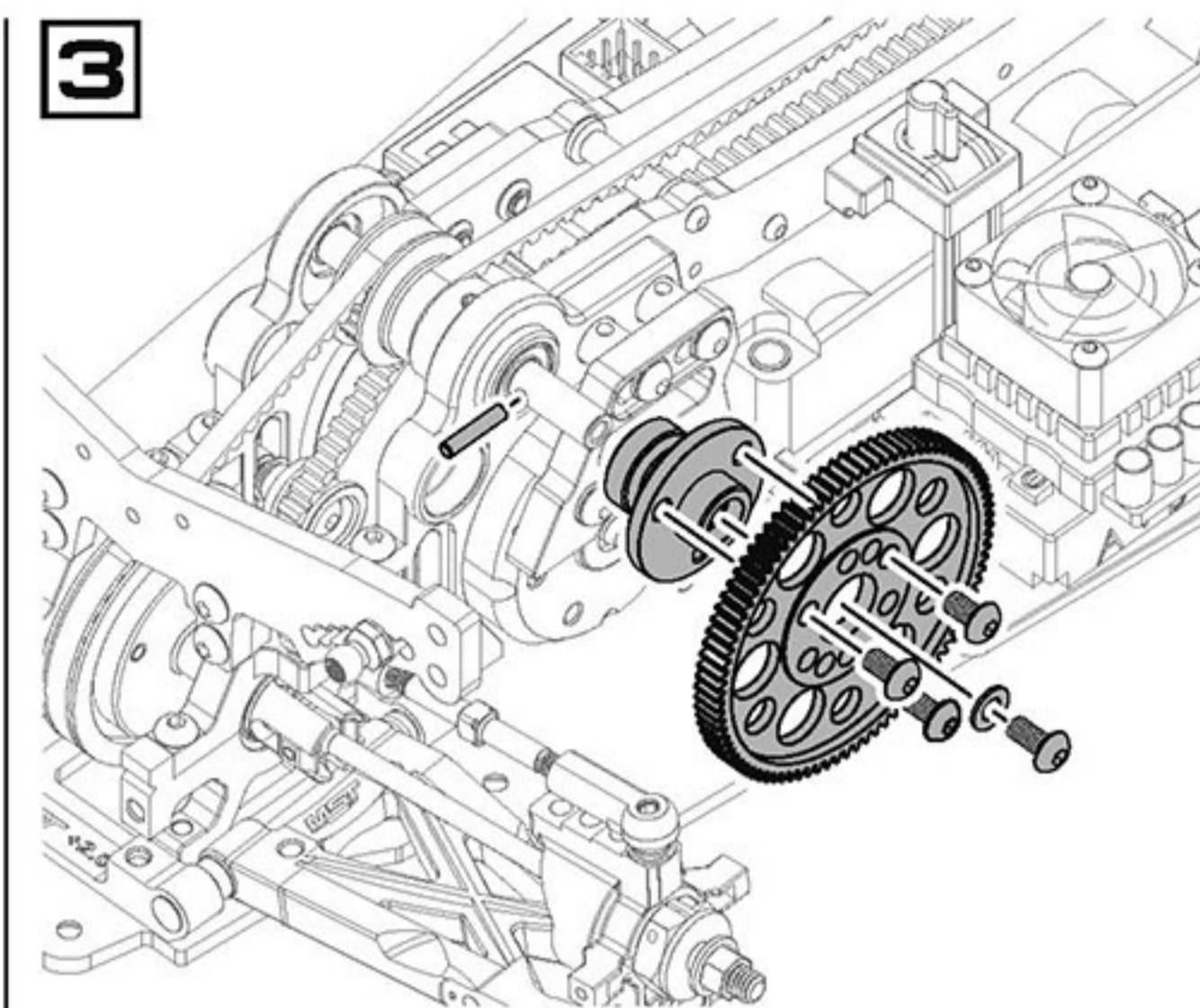


2

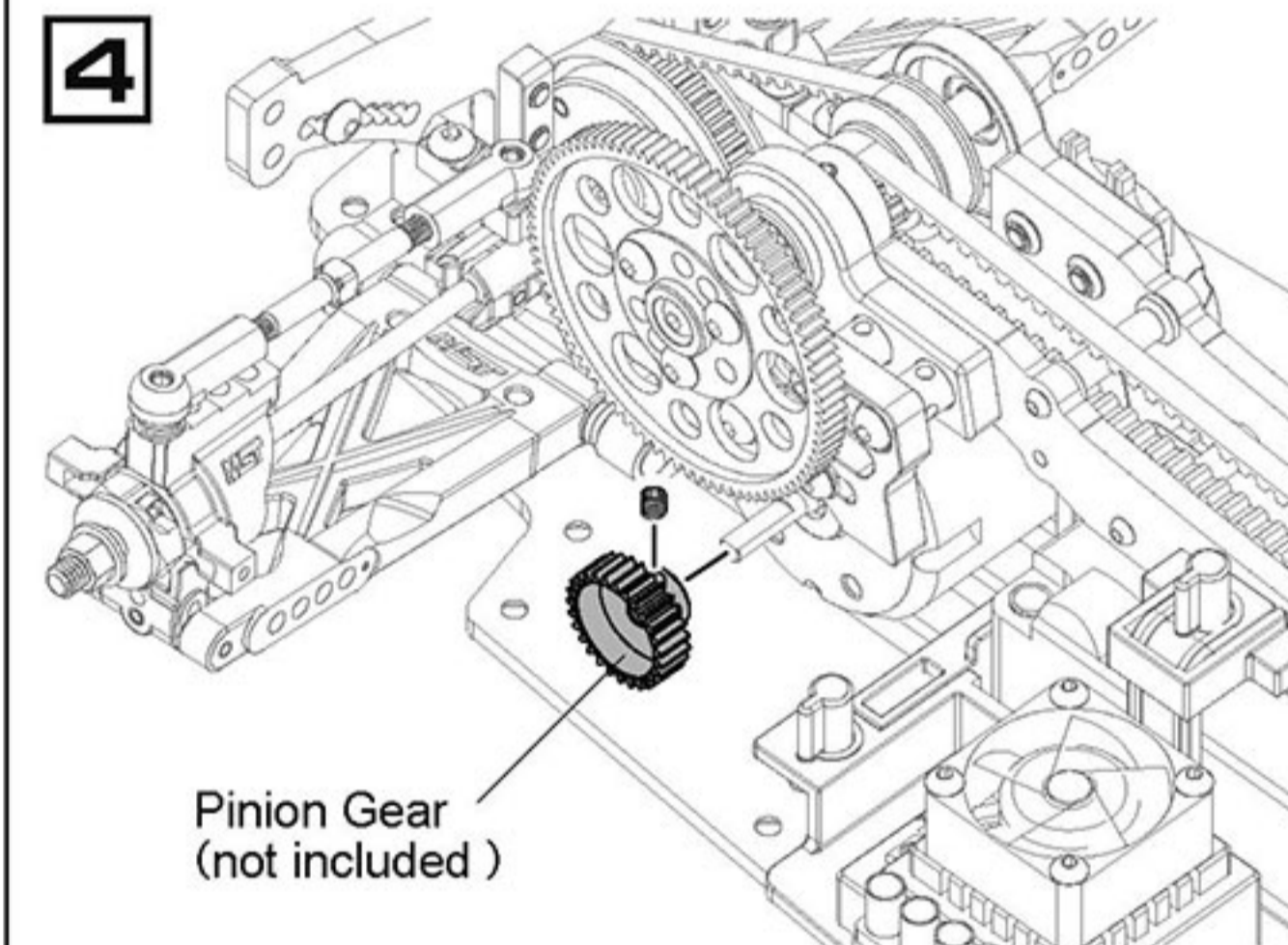
540 Type



3

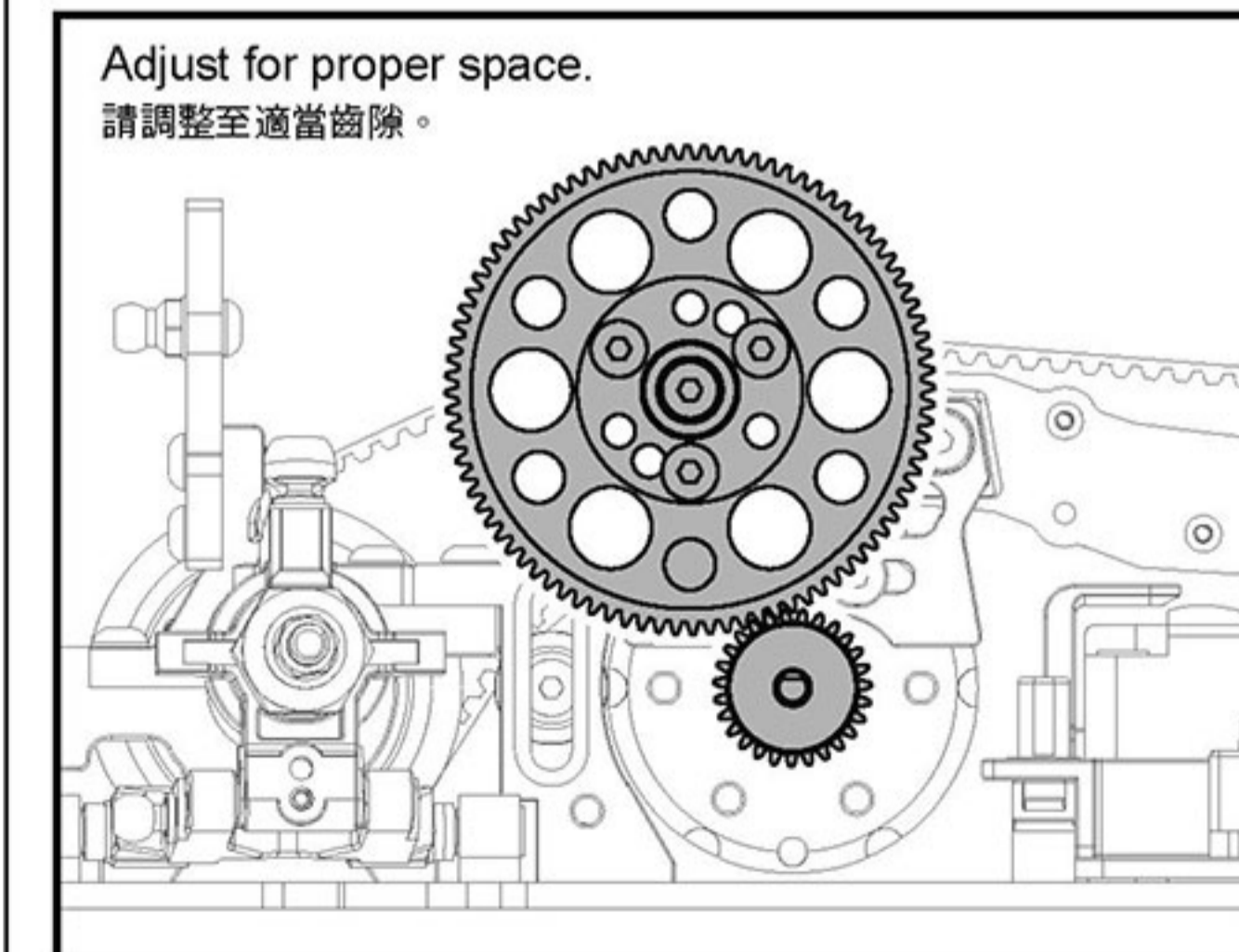


4

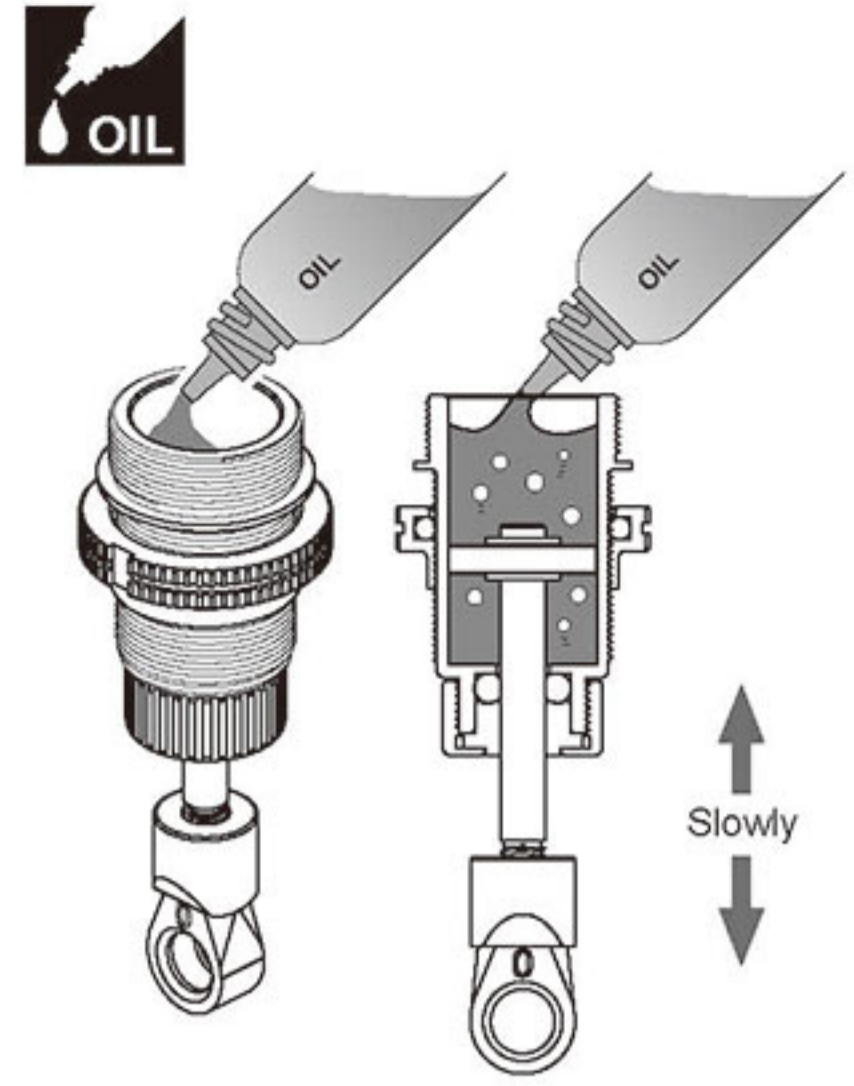
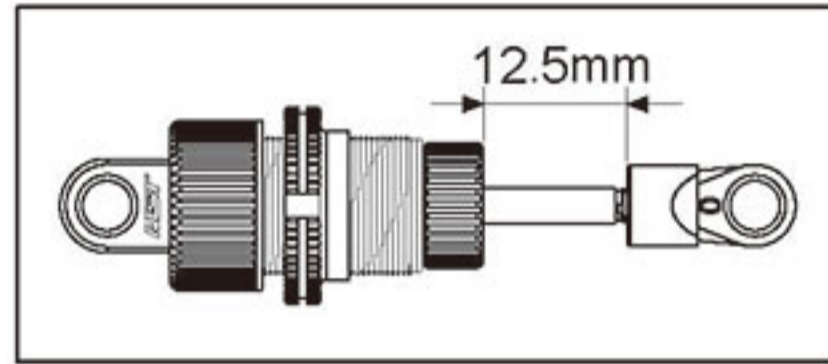
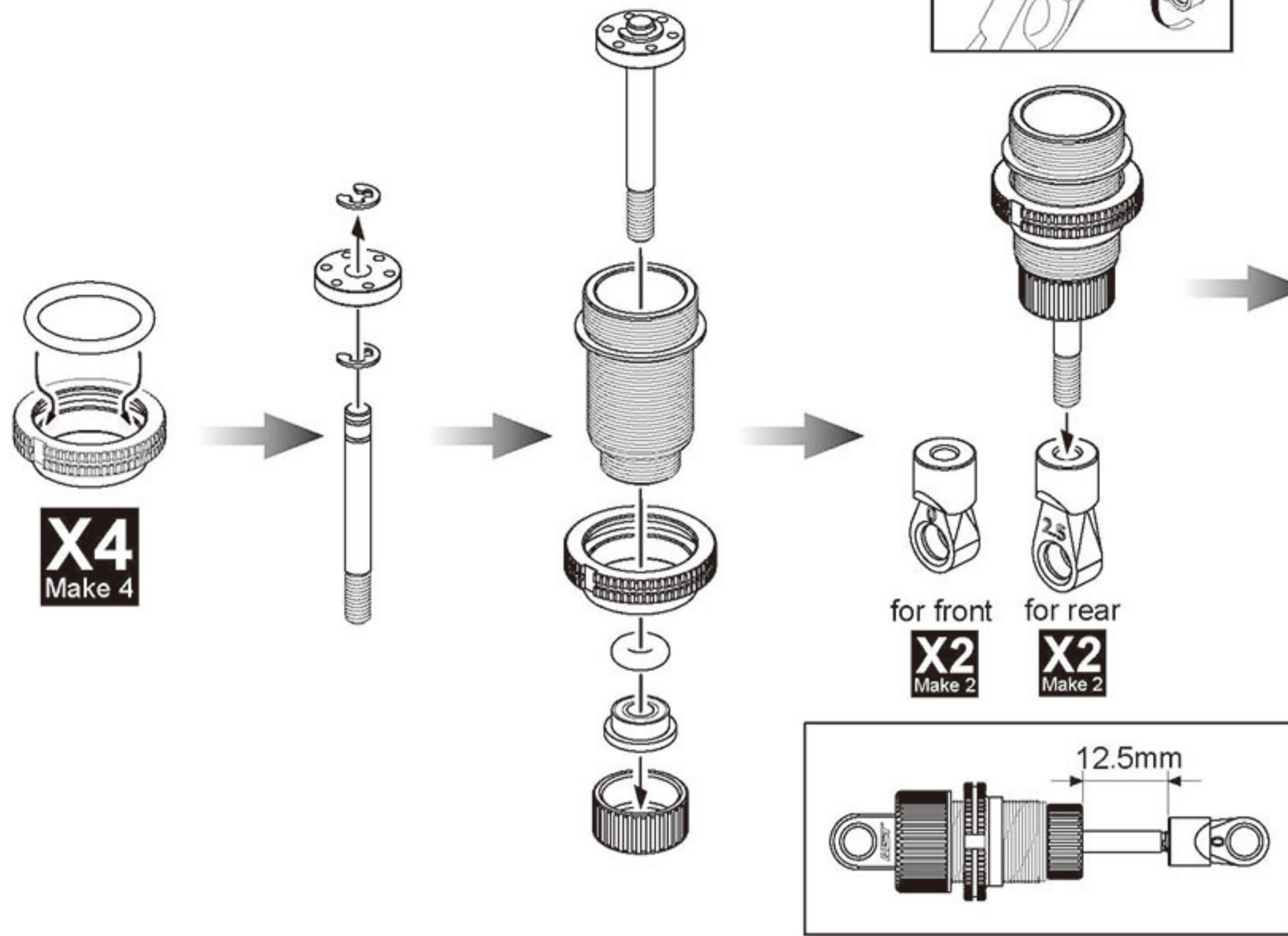


Pinion Gear
(not included)

Adjust for proper space.
請調整至適當齒隙。



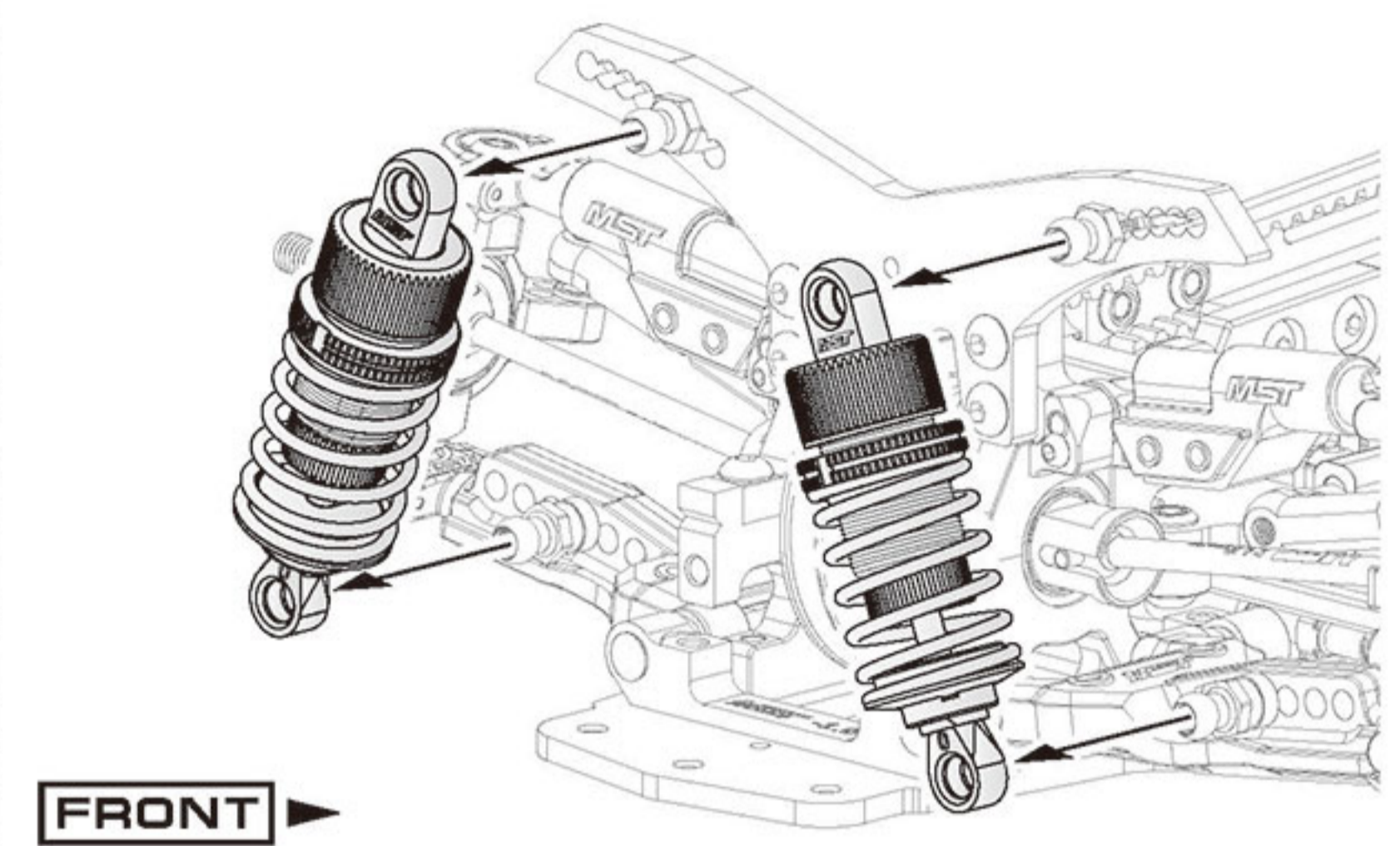
STEP 10 Damper Assembly
避震器組裝



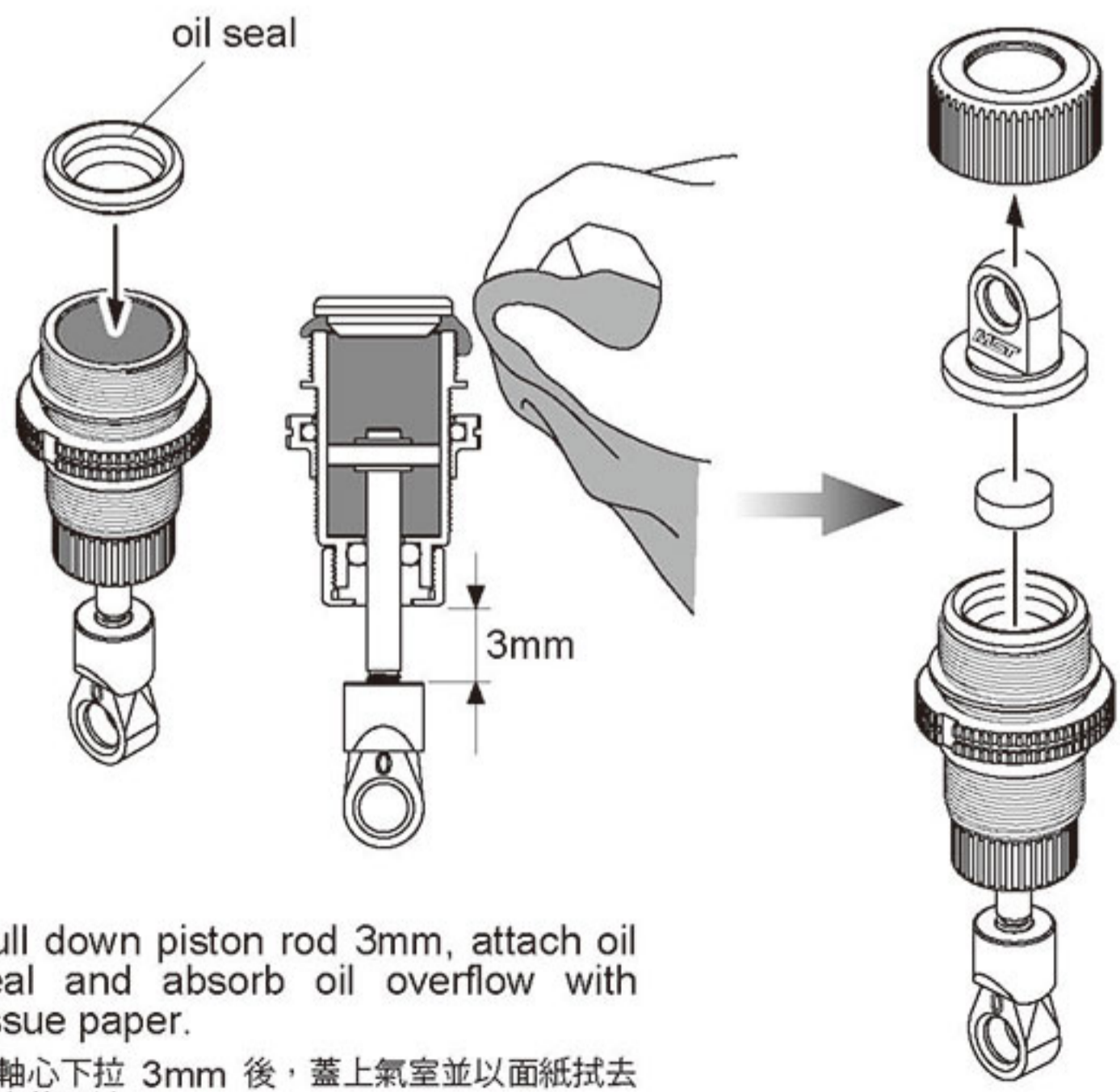
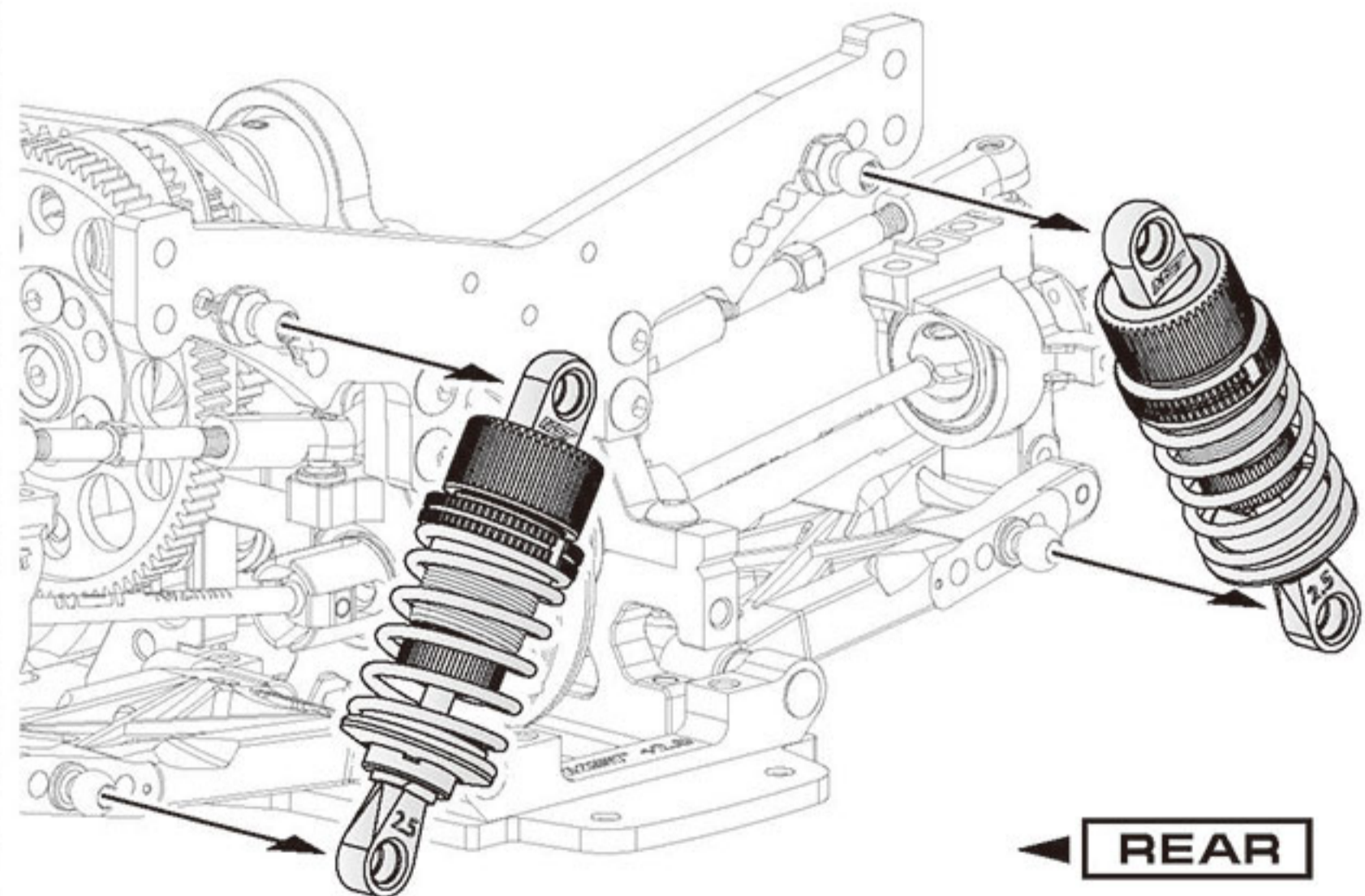
Pull down piston and pour oil into cylinder.
Remove air bubbles by slowly moving piston up and down.
拉下活塞並填入矽油，緩慢上下移動活塞將氣泡移除。



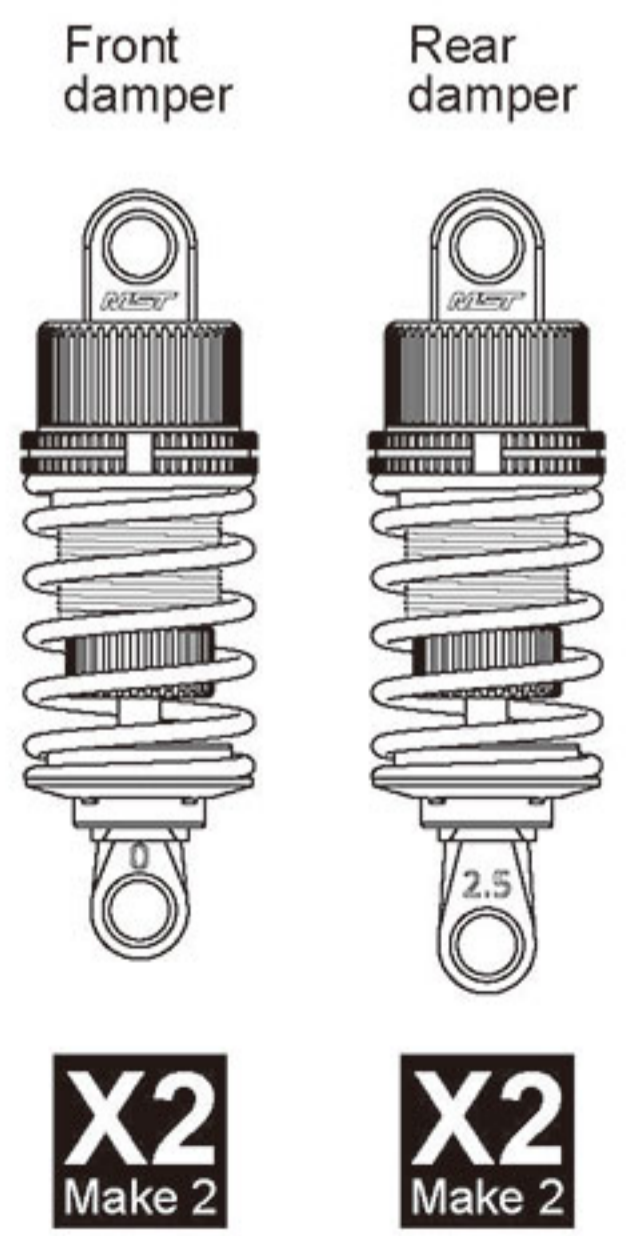
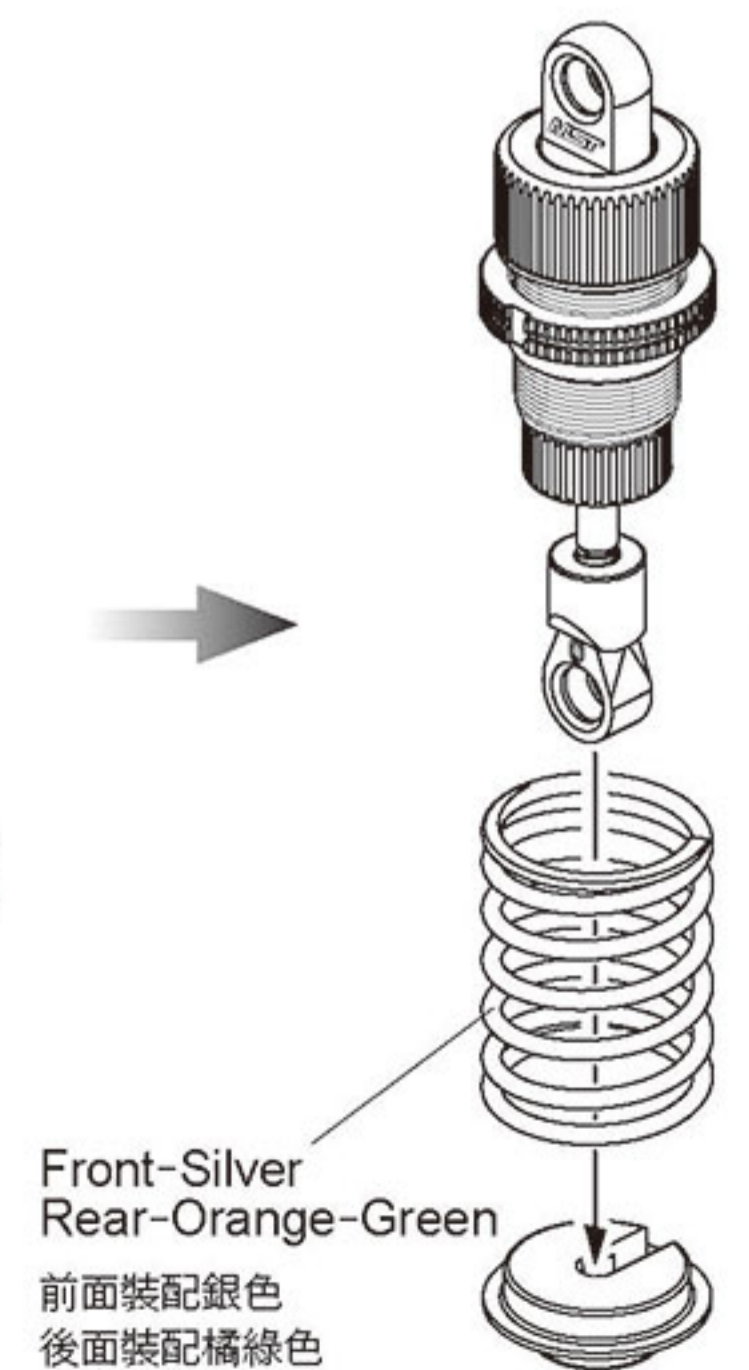
Attaching Front Damper
安裝前避震器



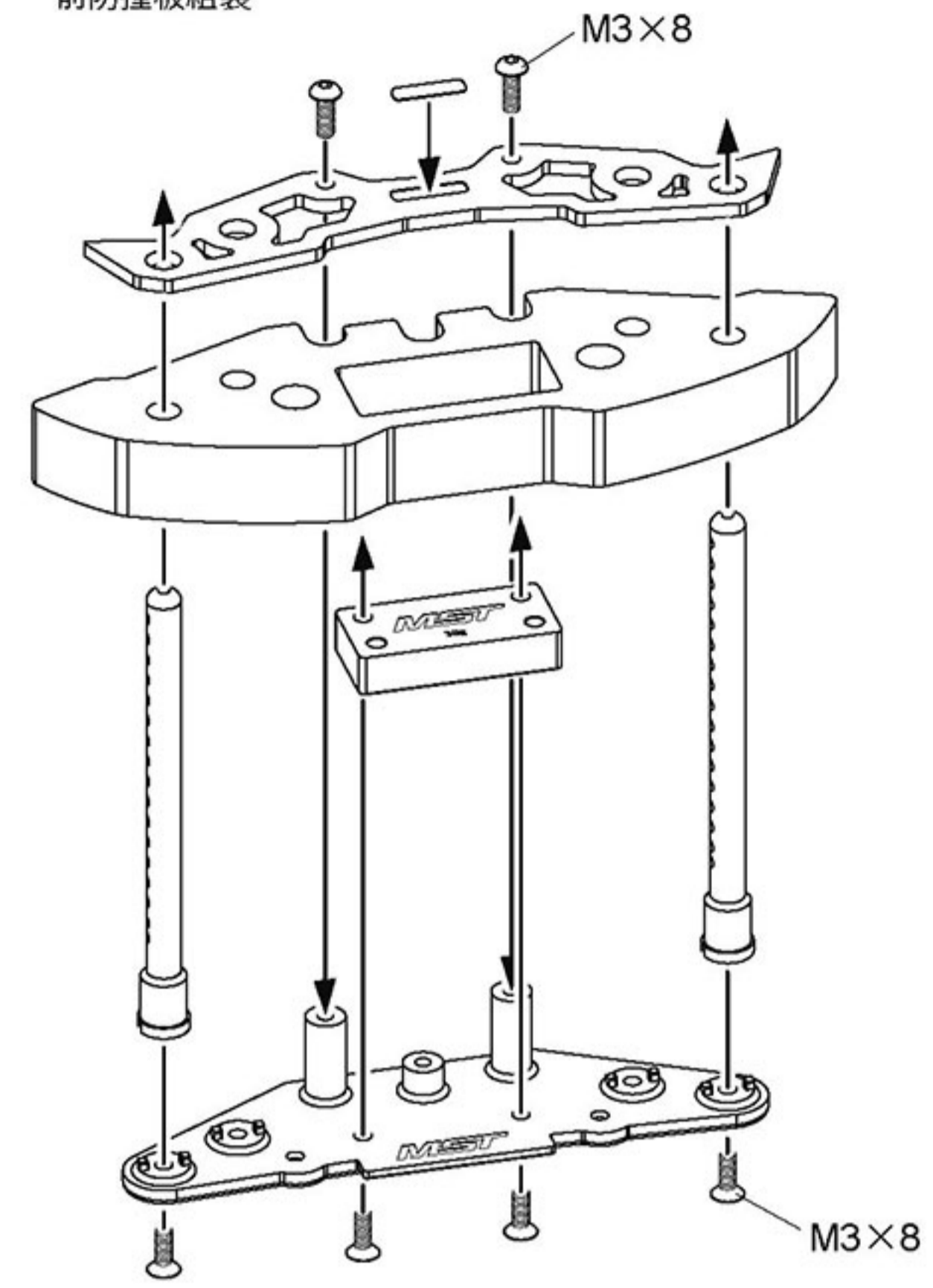
Attaching Rear Damper
安裝後避震器



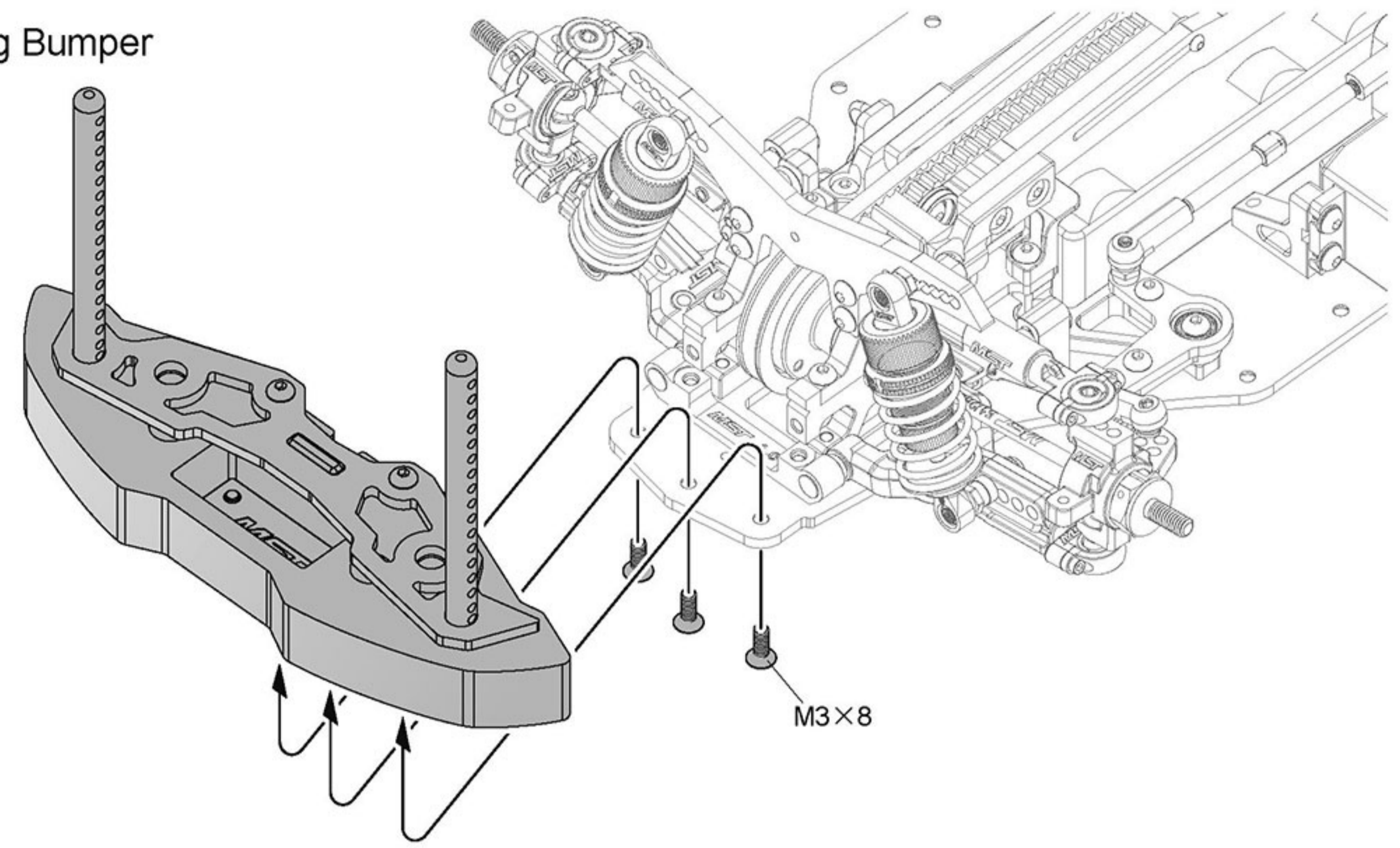
Pull down piston rod 3mm, attach oil seal and absorb oil overflow with tissue paper.
將軸心下拉 3mm 後，蓋上氣室並以面紙拭去溢出的矽油。



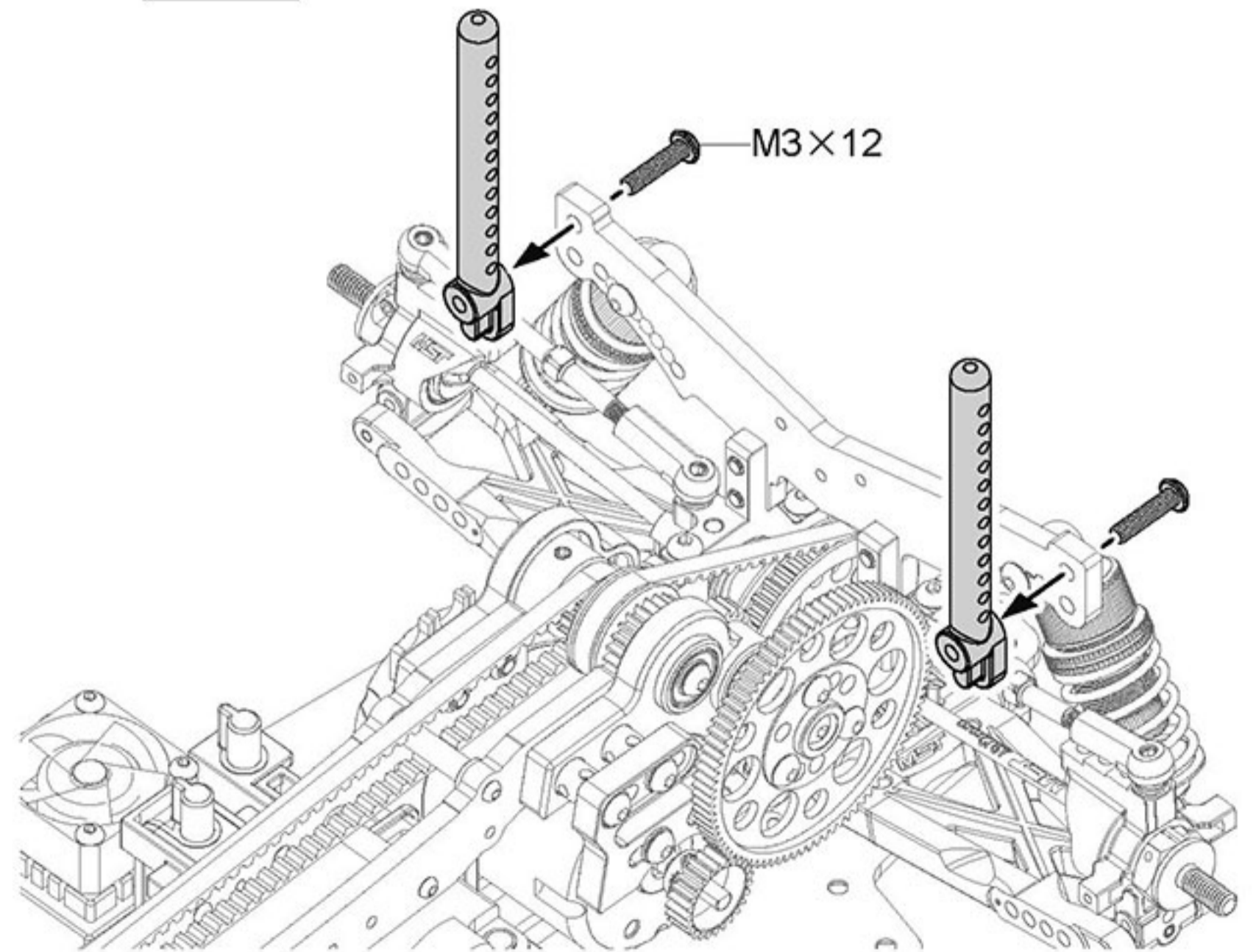
STEP 11 Front Bumper Assembly
前防撞板組裝



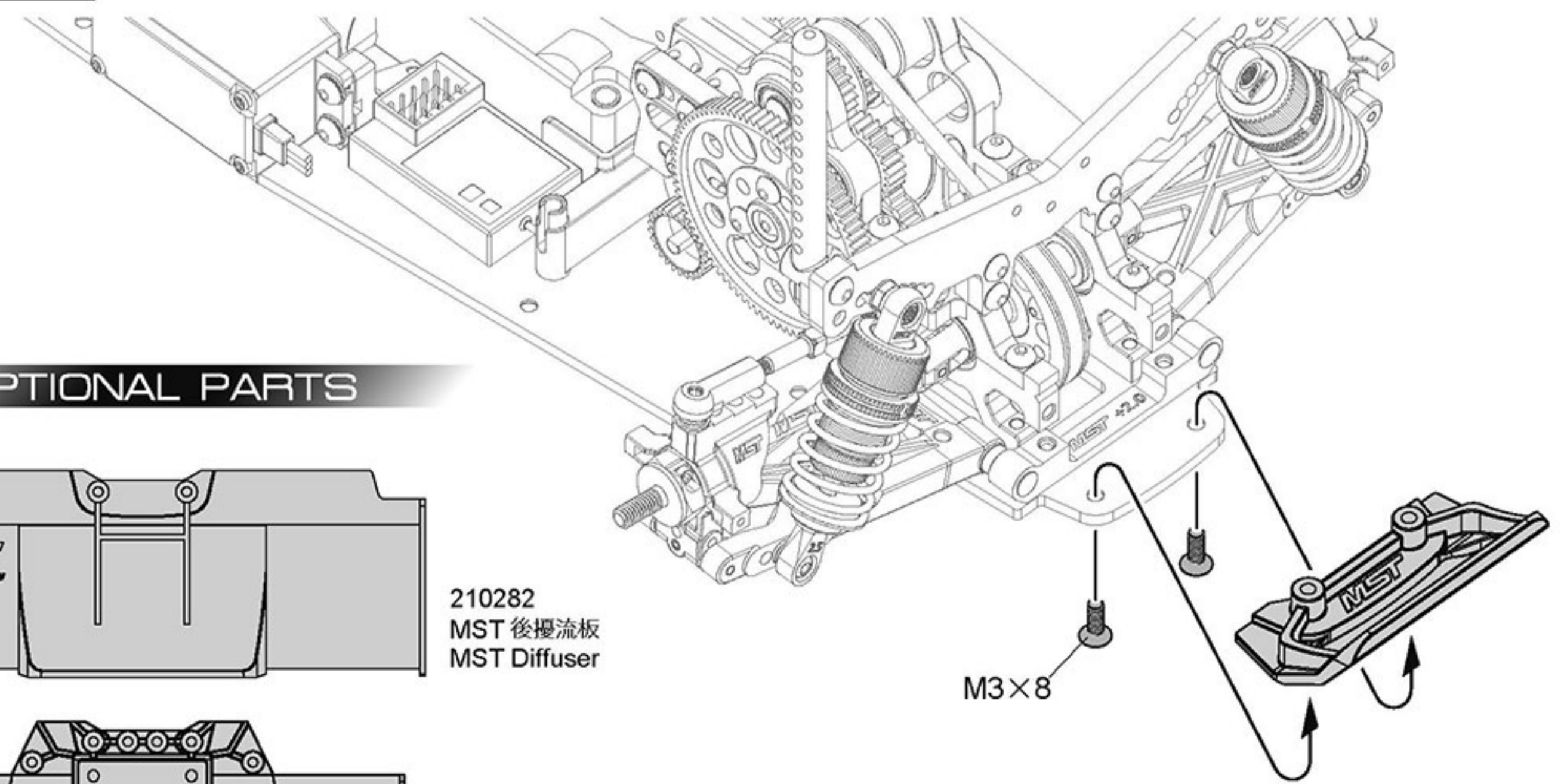
Attaching Bumper
安裝防撞板



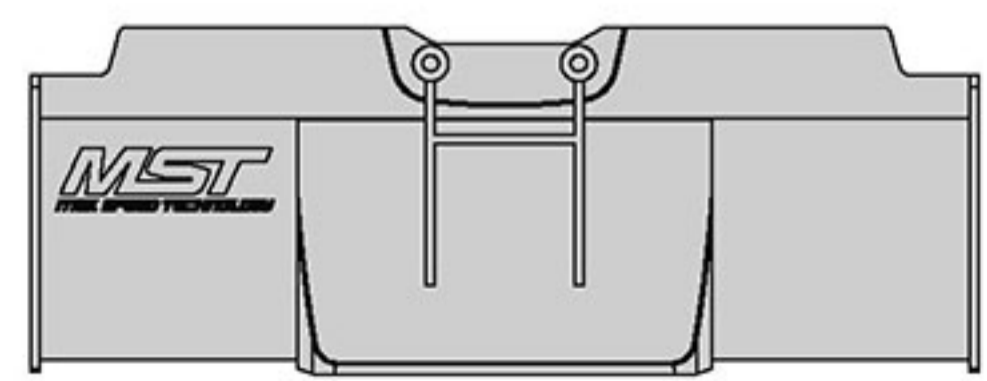
STEP 12 Attaching Rear Body Post
安裝後車殼支柱



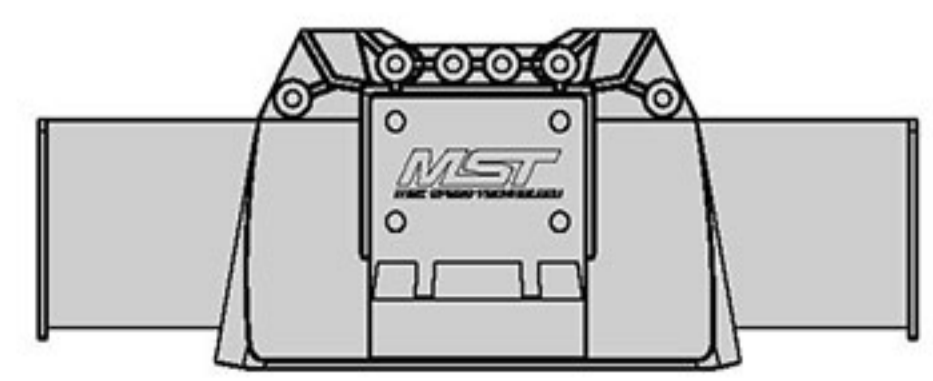
STEP 13 Attaching Rear Balancing Diffuser
安裝後配重擾流板



OPTIONAL PARTS

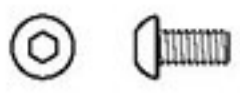




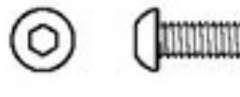


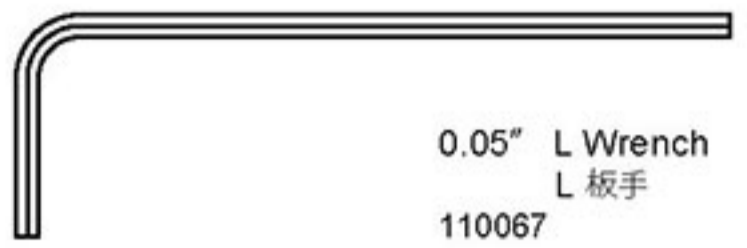





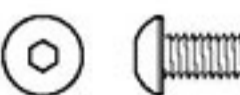

















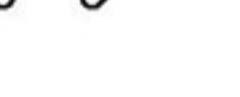
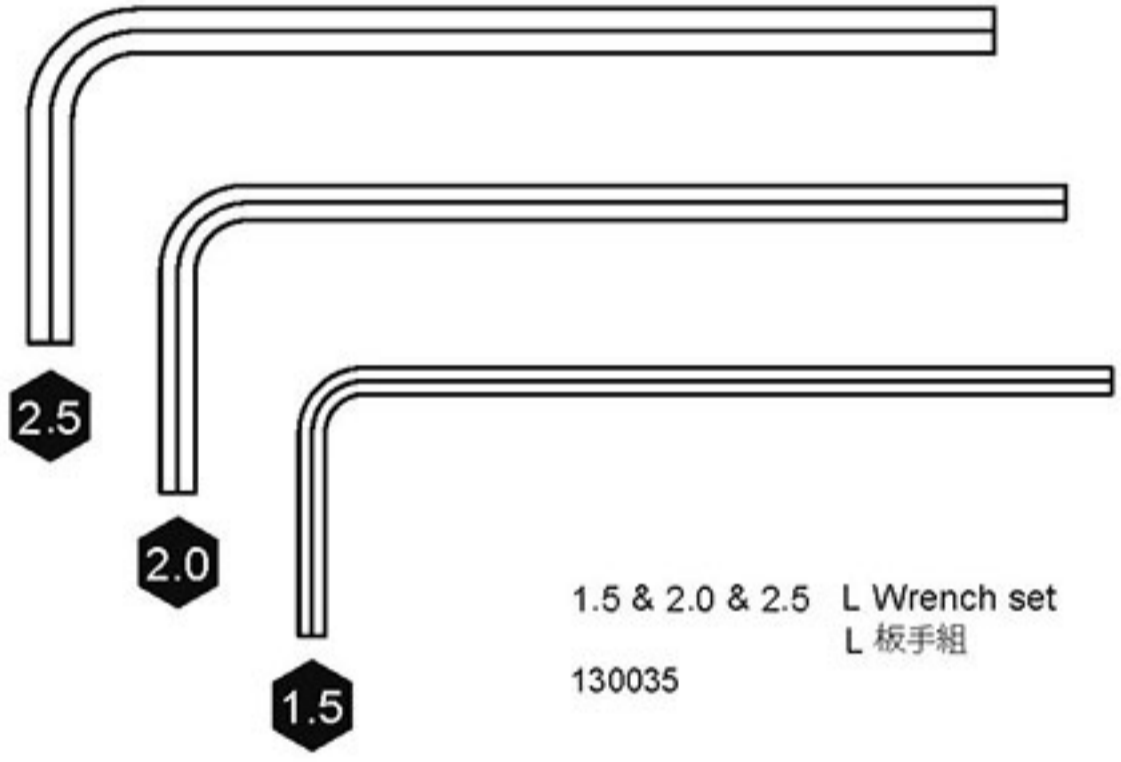
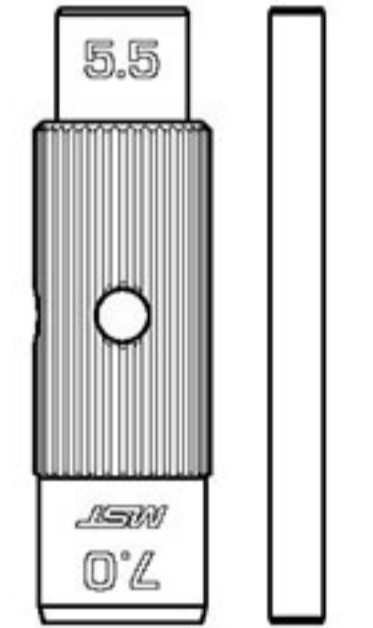






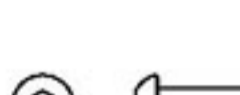
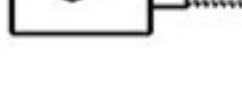

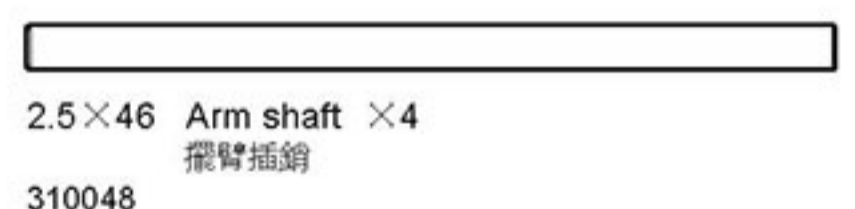

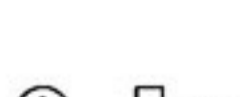

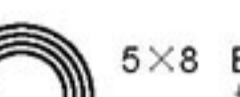
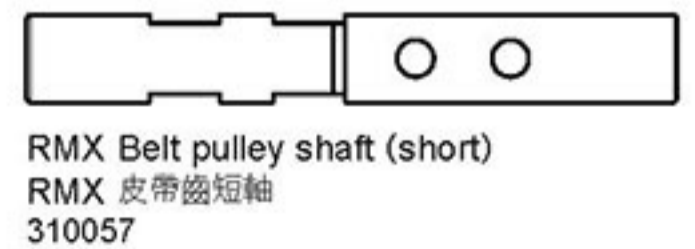
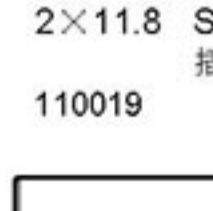

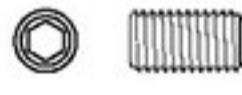
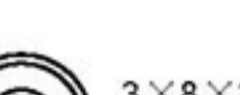
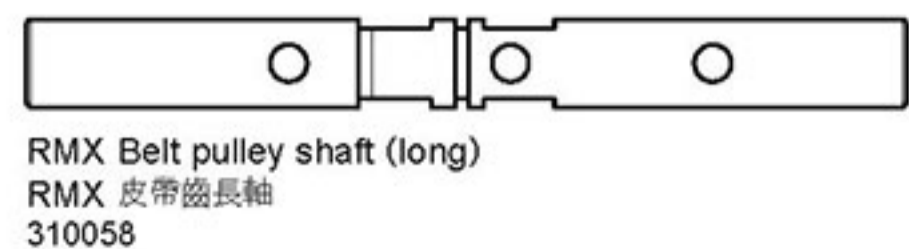

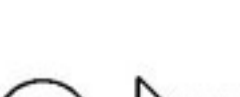

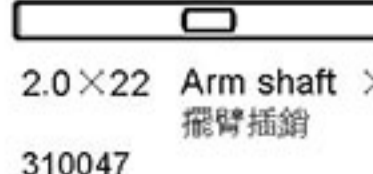


210282
MST 後擾流板
MST Diffuser

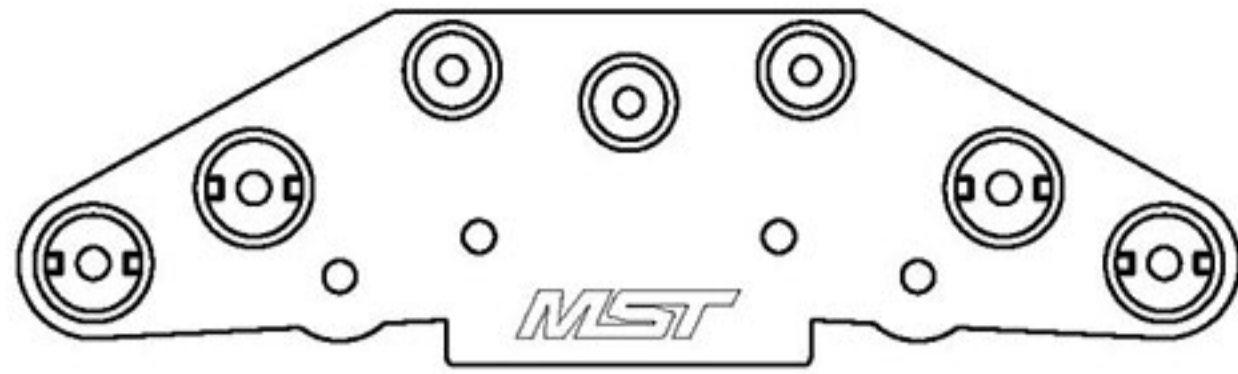


210439
MST 後下配重擾流板
MST Rear balancing diffuser

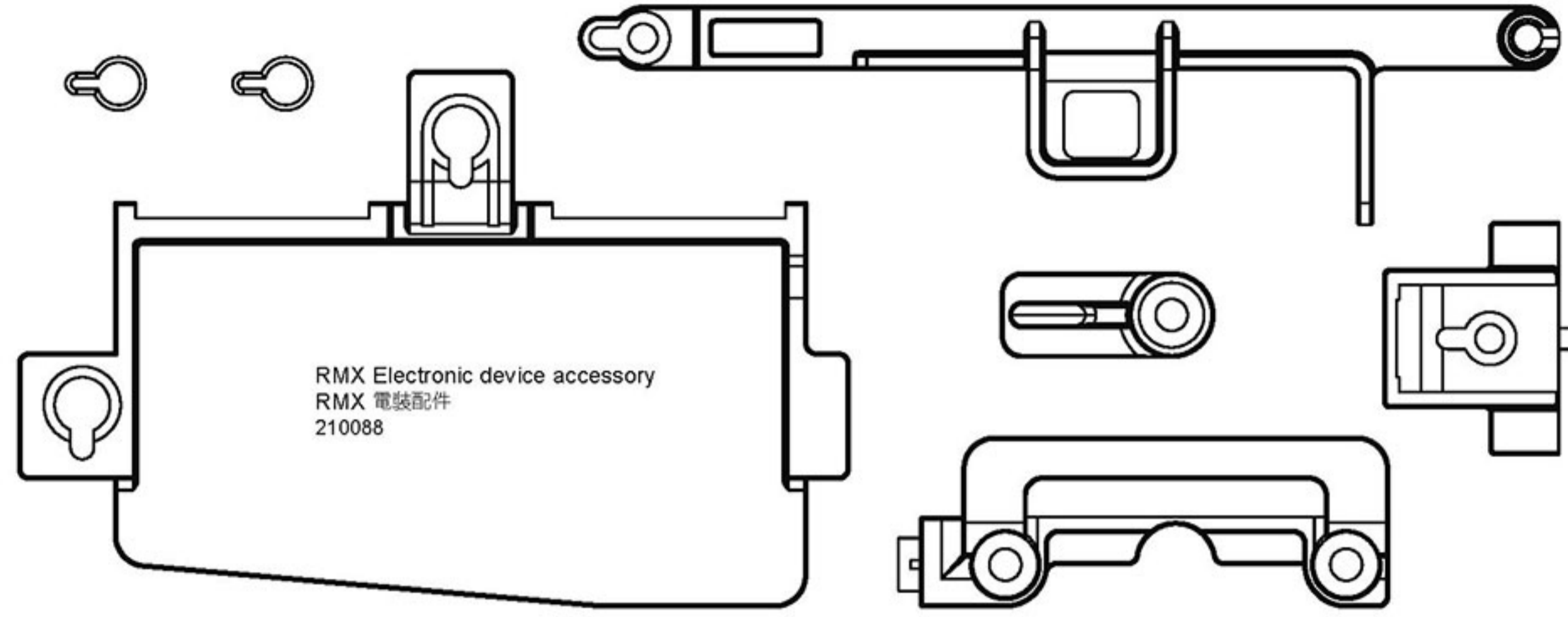
PARTS

	M2×4 Screw ×4 圓頭螺絲 110004		M2.5×2.5 Screw ×2 止付螺絲 110067		3×5.5×1.0 Alum. spacer ×1 鋁墊片 (820026)		4mm Alum. turnbuckle wrench 鋁合金拉桿扳手 (210272)		Damper oil #300 避震油 130009
	M2×8 Screw ×8 圓頭螺絲 110063		M3×5 Screw ×1 止付螺絲 110006		3×5.5×2.0 Alum. spacer ×2 鋁墊片 (820027)		0.05" L Wrench L 板手 110067		Black grease 黑色油膏 130008
	M2.5×6 Screw ×10 圓頭螺絲 110003		M3×10 Screw ×2 止付螺絲 110032		3×5.5×3.0 Alum. spacer ×2 鋁墊片 (820028)		MST-PU Sticker MST-PU貼紙 710001		
	M2.5×10 Screw ×4 圓頭螺絲 110064		4.8×4.5 S Ball connector ×2 球頭螺絲 210433		3×5.5×2.0 Alum. spacer ×2 鋁墊片 820027S				
	M3×5 Screw ×3 圓頭螺絲 110049		4.8×4.5 Ball connector ×8 球頭螺絲 310001		5×7×1.0 Spacer ×4 墊片 820018				
	M3×6 Screw ×14 圓頭螺絲 110001		5.8×4 Ball connector ×4 球頭螺絲 210159		3×6×0.5 Spacer ×19 墊片 110047				
	M3×8 Screw ×38 圓頭螺絲 110002		4.8 Ball connector nut ×6 外六角球頭 210161		3×8×0.5 Spacer ×1 墊片 110048		R-clip 5.0 (black) ×4 R形扣 5.0 (黑) 820075BK		
	M3×10 Screw ×6 圓頭螺絲 110026		4.8 Ball connector nut L ×4 外六角球頭 (長) 210344		E-clip 4.0 ×1 E扣 4.0 110037				
	M3×12 Screw ×5 圓頭螺絲 110029		2.5×5 Suspension balls ×8 插銷球頭 210321		3×4×1 Bearing bush ×2 培林襯套 310060		1.5 & 2.0 & 2.5 L Wrench set L 板手組 130035		5.5 & 7.0 Alum. wrench 鋁合金套筒工具 (700003)
	M3×14 Screw ×3 圓頭螺絲 110061		M4 Wheel nut ×4 輪框螺帽 820074		Universal adjusting mount ×3 通用型調整座 310061				
	M2.5×10 Screw ×1 自攻螺絲 110025		M3×6×8 Bolster post ×2 墊高柱 310059		3×7 Ball bearing ×1 培林 120006				
	M2×8 Screw ×4 圓頭螺絲 (半牙) 110045		Wheel axle ×4 萬向接杯 310006		5×10 Ball bearing ×4 培林 120002		2.5×46 Arm shaft ×4 擺臂插銷 310048		2×9.8 Shaft ×11 插銷 110017
	M1.6×4 Screw ×4 有頭螺絲 110039S		3×3.5×20 Steel turnbuckle ×2 鋼製可調螺桿 210326		5×8 Ball bearing ×2 培林 120003		RMX Belt pulley shaft (short) RMX 皮帶齒短軸 310057		2×11.8 Shaft ×1 插銷 110019
	M1.6×6 Screw ×8 有頭螺絲 110066S		Cross joint ×4 連接軸 820030		3×8×3 Ball bearing ×2 培林 120016		RMX Belt pulley shaft (long) RMX 皮帶齒長軸 310058		2.5×20 Arm shaft ×2 擺臂插銷 310046
	M3×8 Screw ×33 沉頭螺絲 110005				4×8×3 Ball bearing ×2 培林 120013				2.0×22 Arm shaft ×2 擺臂插銷 310047

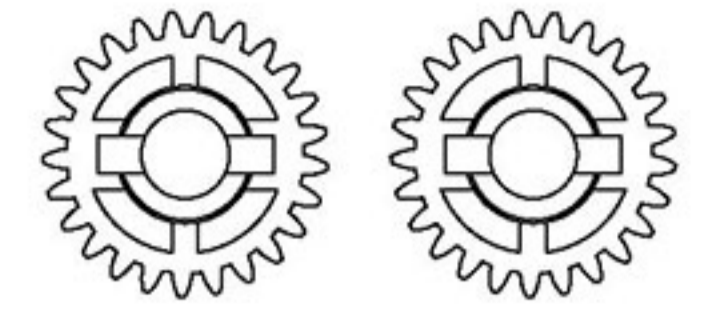
PARTS



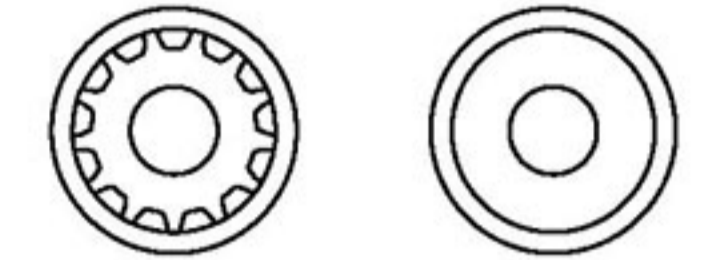
Wide balancing bumper
寬形配重防撞板
210378



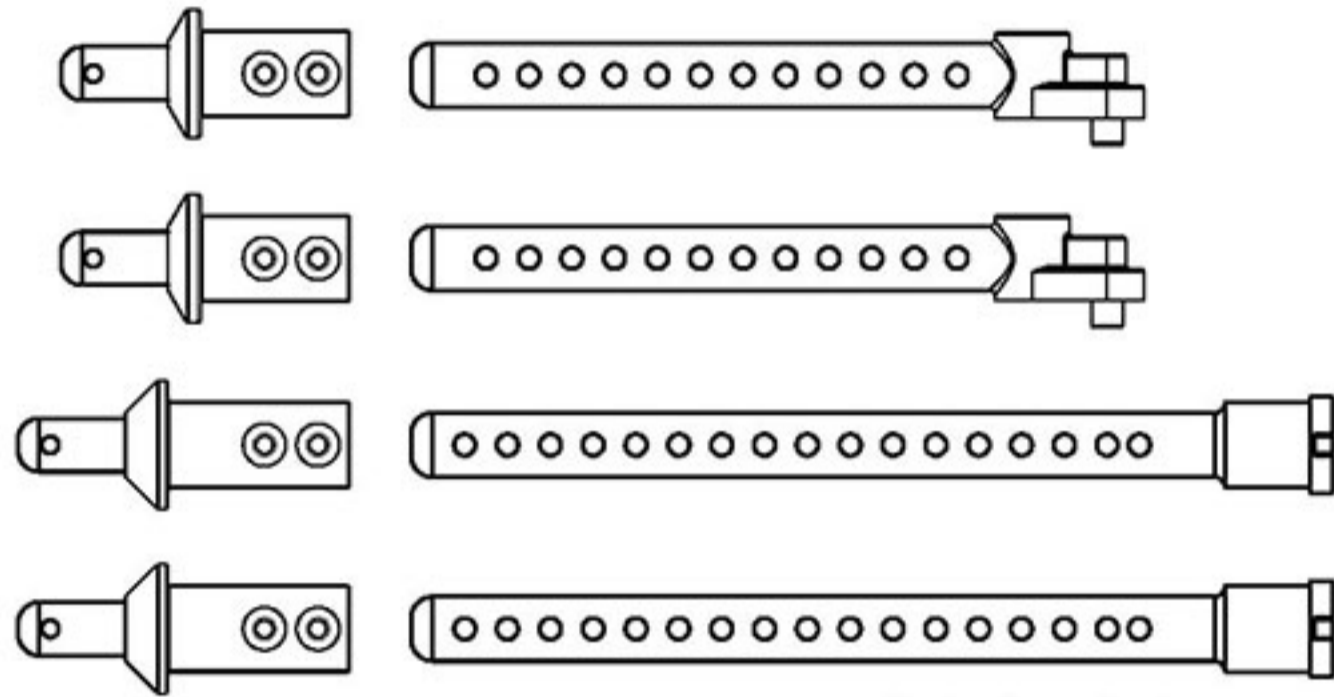
RMX Electronic device accessory
RMX 電裝配件
210088



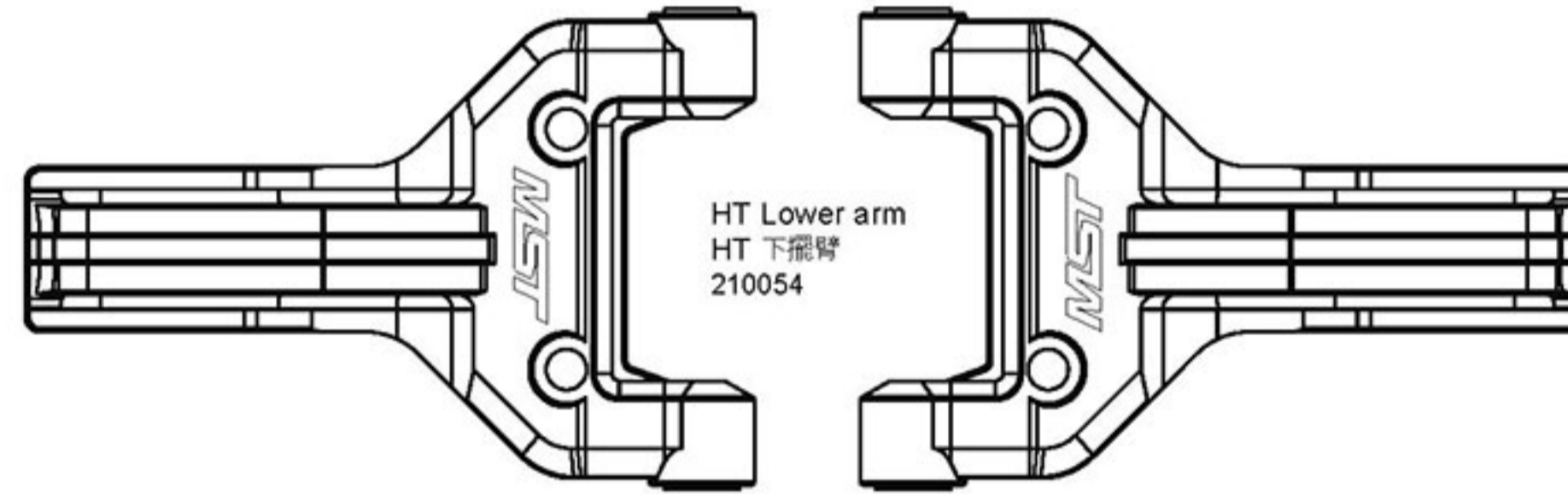
Idler gear M0.6 25T
惰輪 M0.6 25T
210090



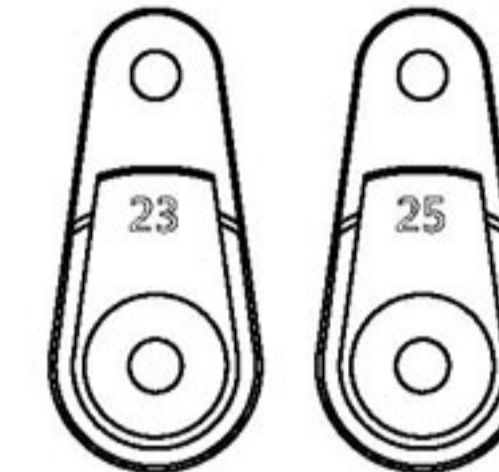
Pulley 13T
皮帶齒 13T
210111-2



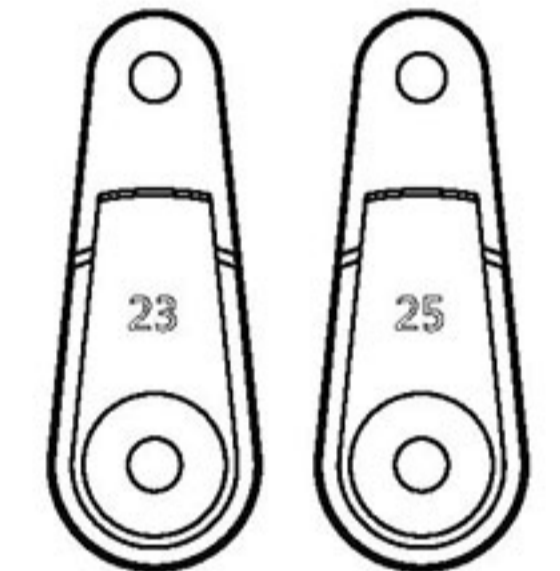
Car body post set
車殼支柱組
210381



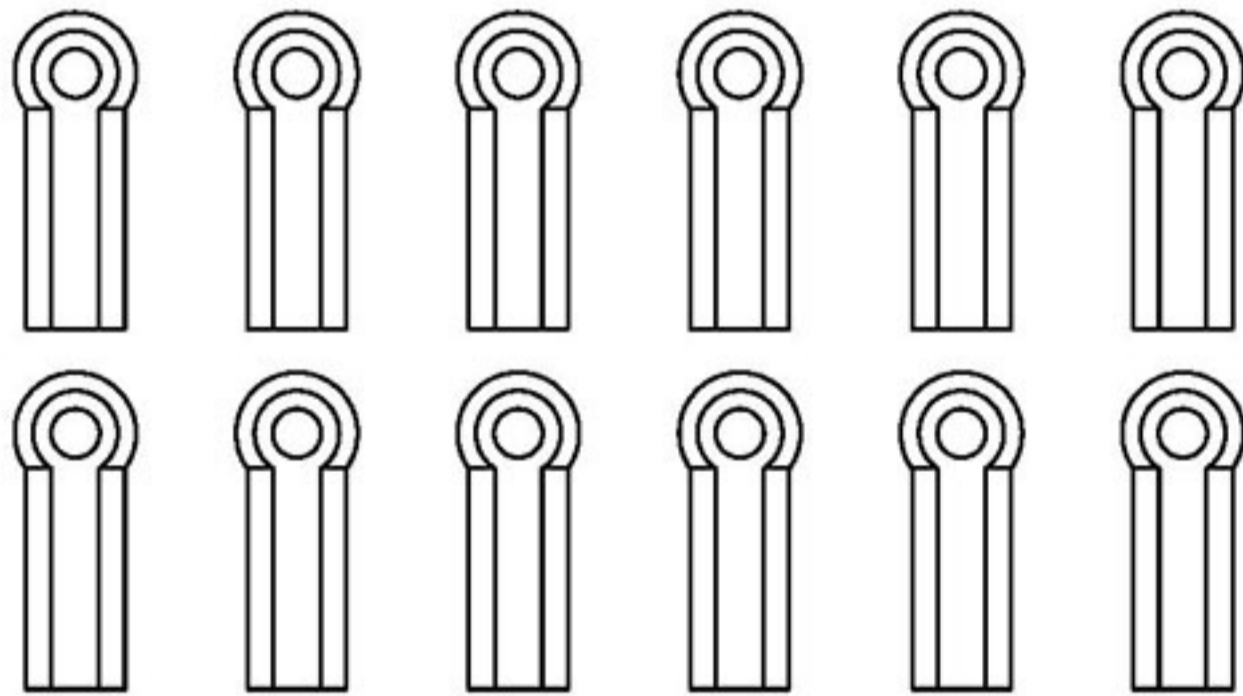
HT Lower arm
HT 下擺臂
210054



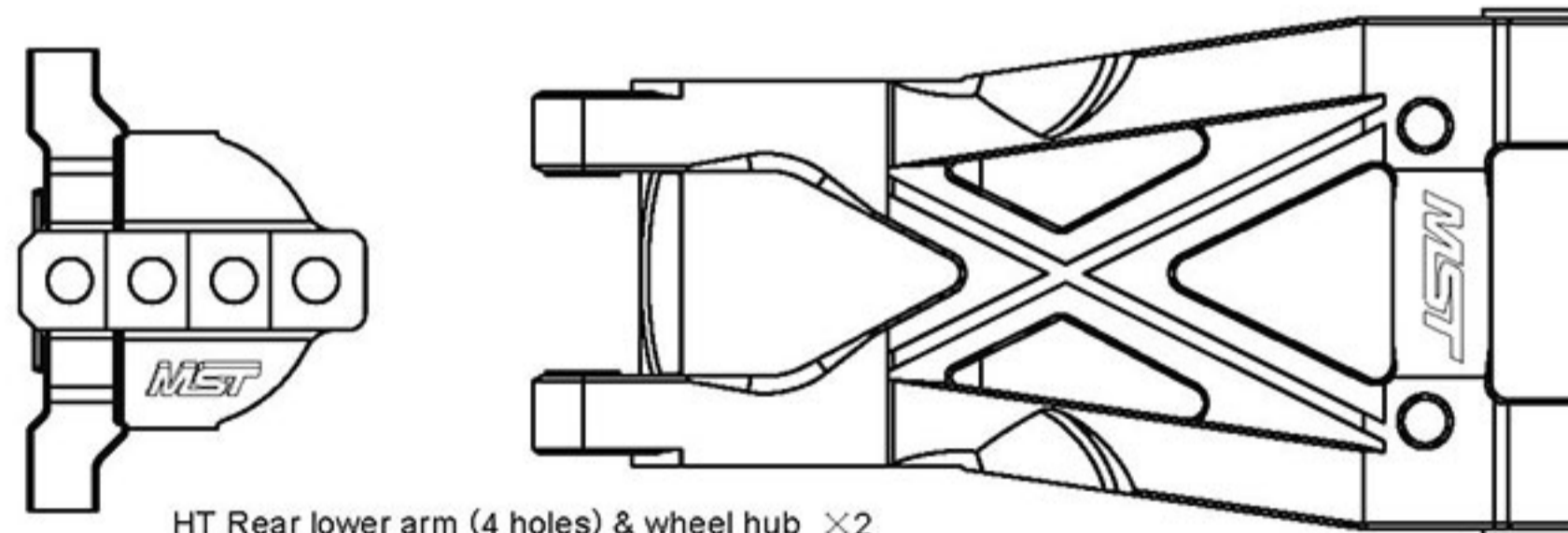
Servo horn set (23T/25T)
伺服機舵片組 (23T/25T)
210032



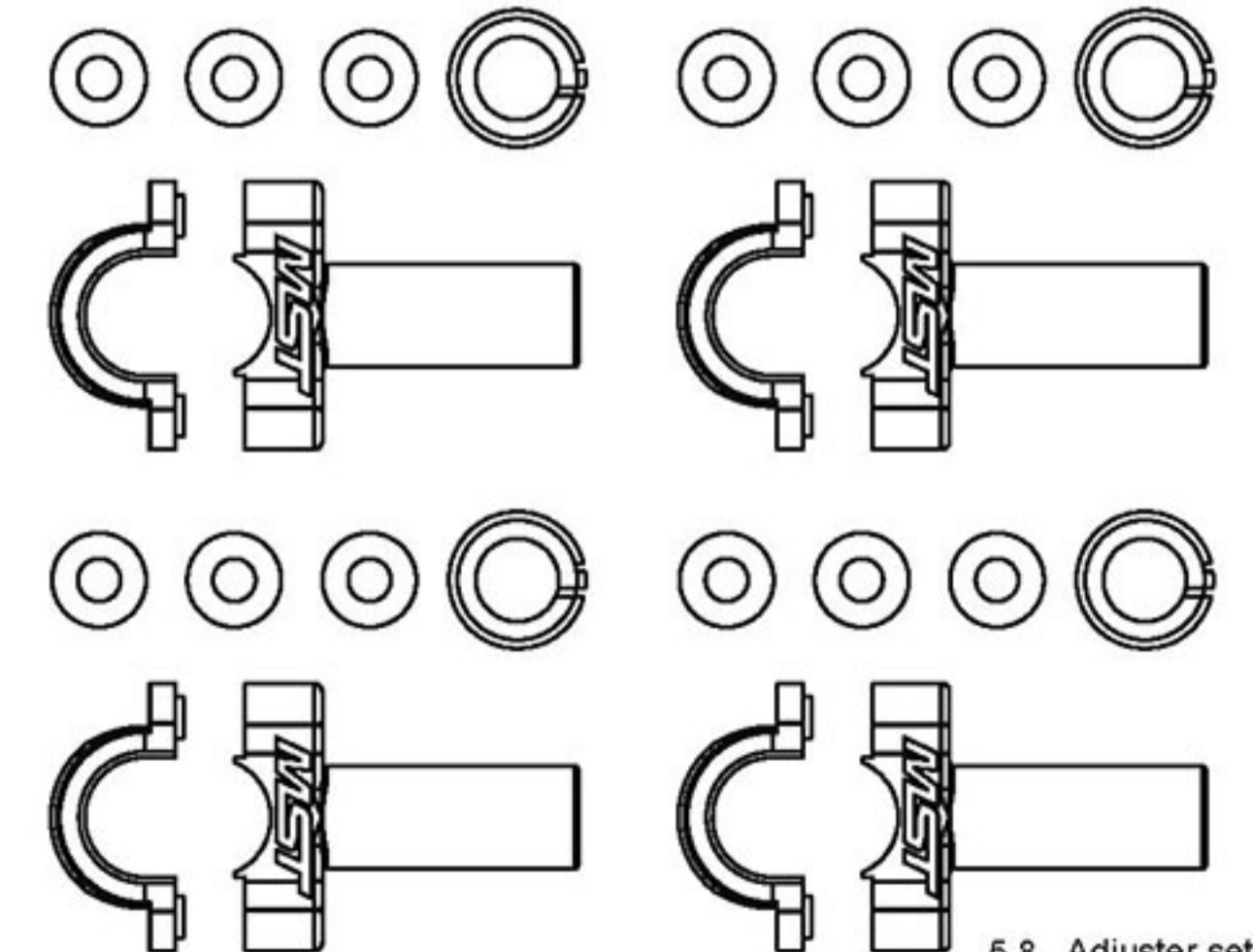
Servo horn set (long) (23T/25T)
伺服機舵片組 (長) (23T/25T)
210033



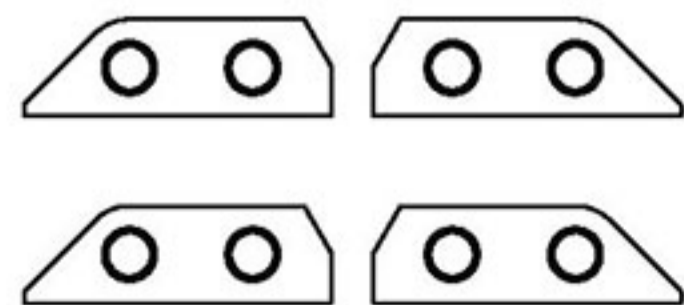
4.8×18 Reinforced adjuster set
強化拉桿頭組
210047



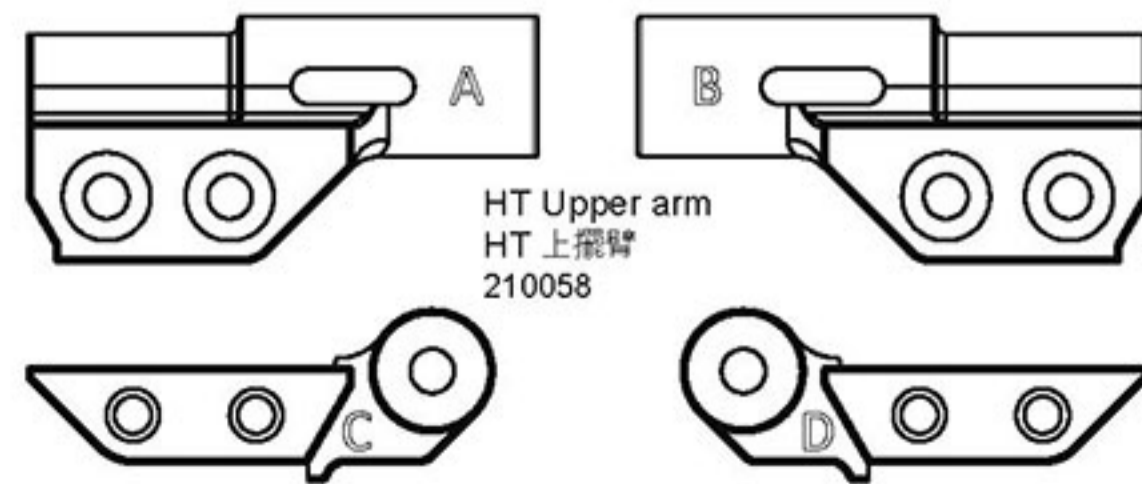
HT Rear lower arm (4 holes) & wheel hub ×2
HT 後下擺臂 (4孔) & 輪座
210070



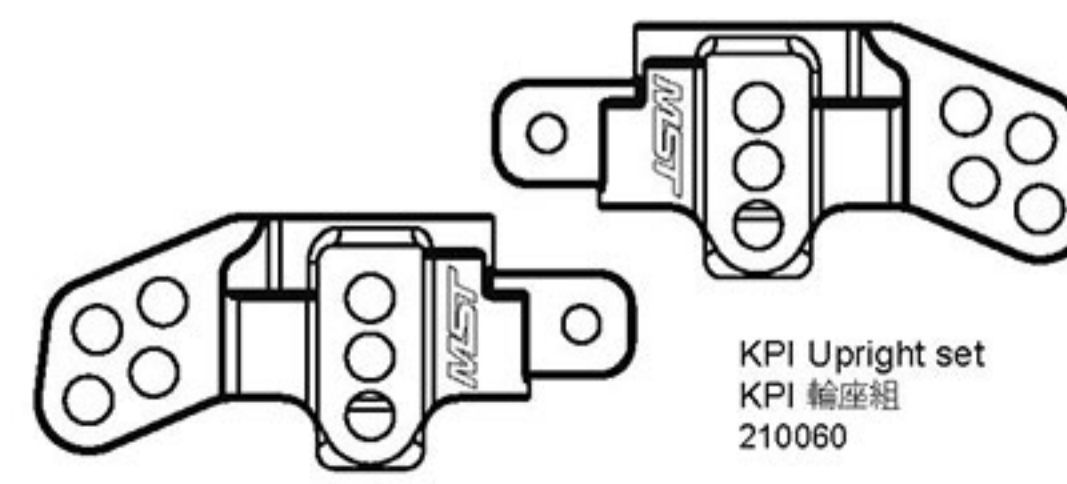
5.8 Adjuster set
調整式拉桿頭組
820081



HT Upper arm spacer
HT 上擺臂墊片
210061

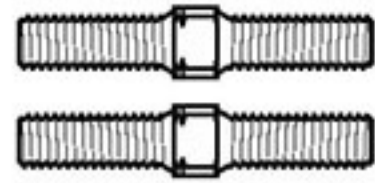


HT Upper arm
HT 上擺臂
210058



KPI Upright set
KPI 輪座組
210060

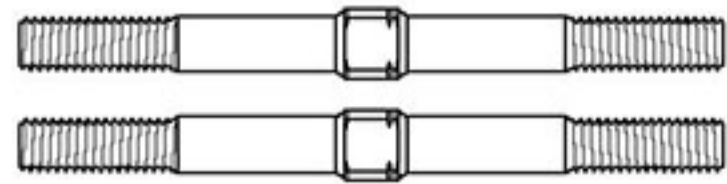
PARTS



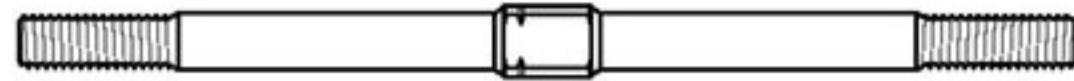
3×20 Alum. reinforced turnbuckle
鋁合金強化可調拉桿
(810007)



3×32 Alum. reinforced turnbuckle
鋁合金強化可調拉桿
(810010)



3×40 Alum. reinforced turnbuckle
鋁合金強化可調拉桿
(810011)



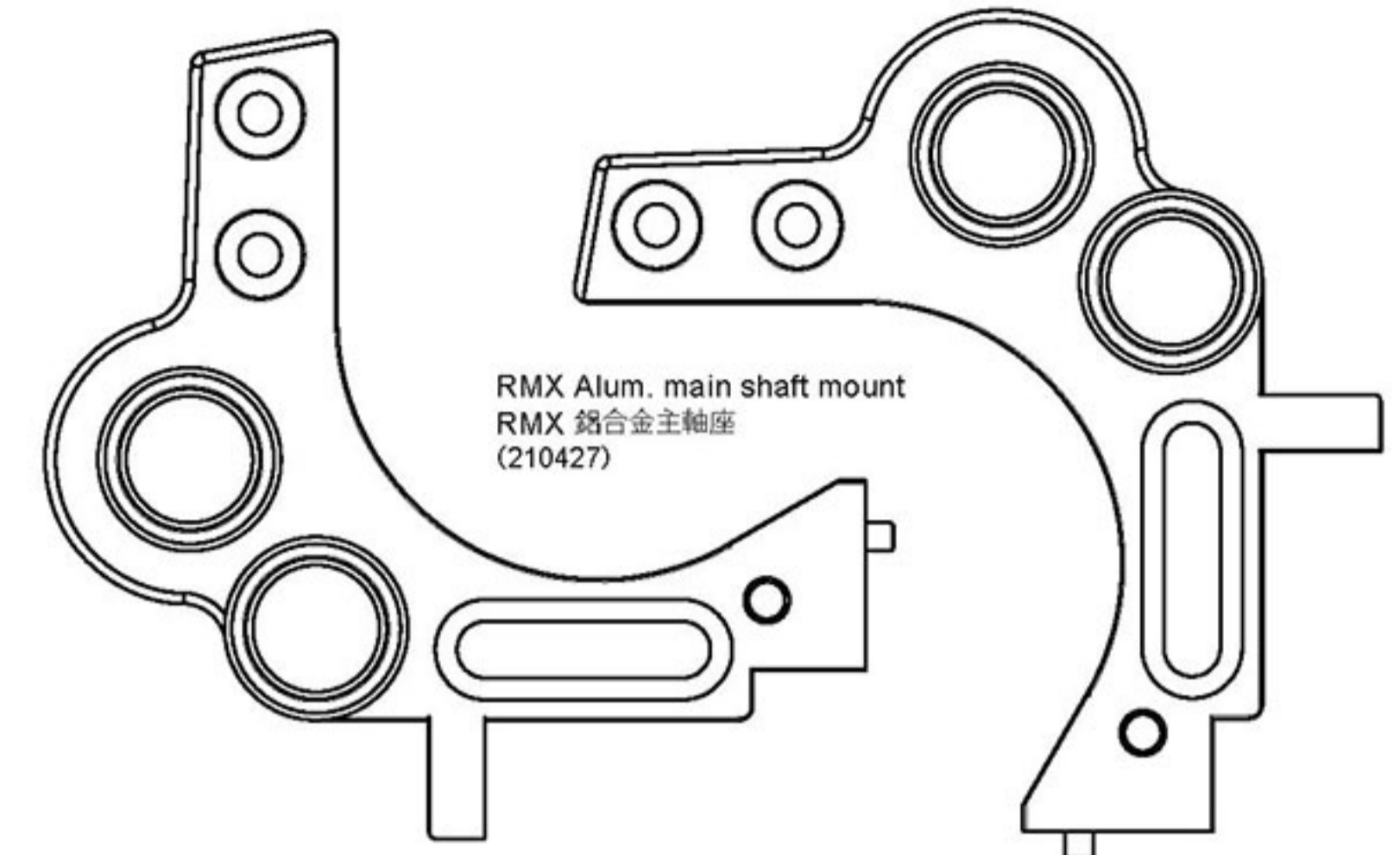
3×60 Alum. turnbuckle
鋁製可調拉桿
(210105)



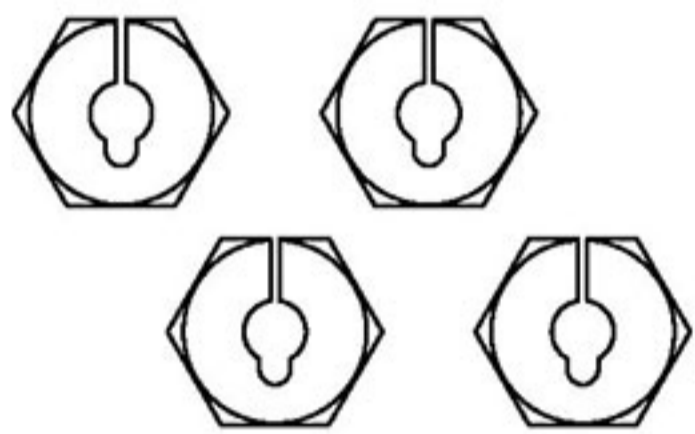
Alum. suspension mount (-1.0) ×3
鋁合金擺臂座 (-1.0)
(820084)



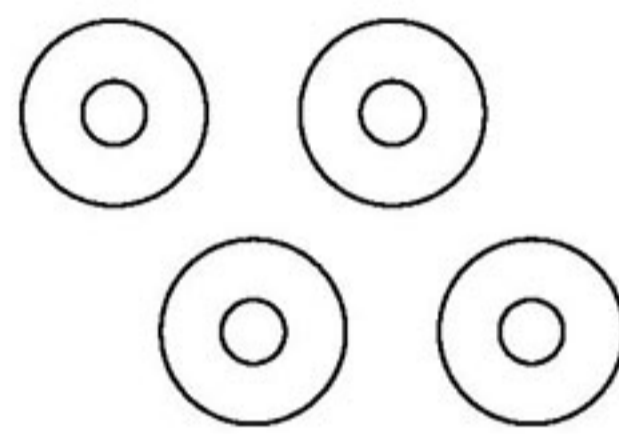
Alum. suspension mount (+2.0)
鋁合金擺臂座 (+2.0)
(820038)



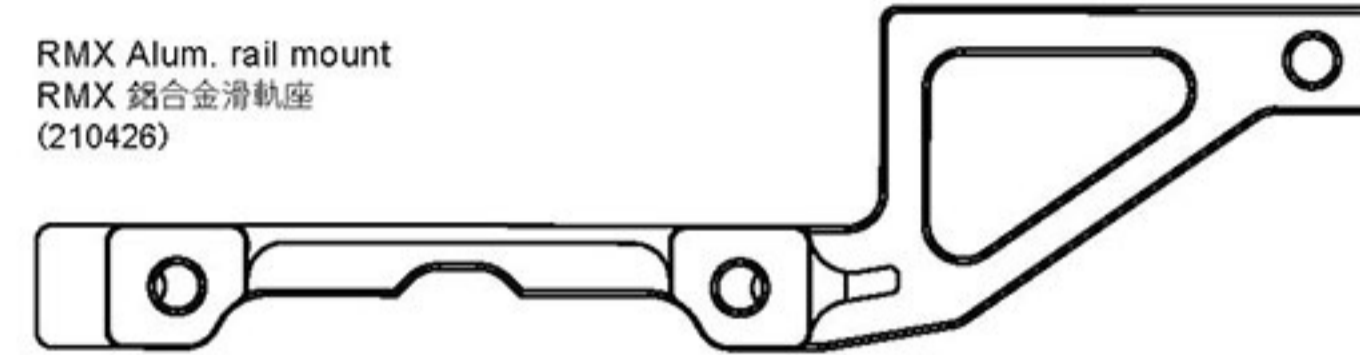
RMX Alum. main shaft mount
RMX 鋁合金主軸座
(210427)



4mm Alum. hex. wheel hubs
鋁合金六角輪座
(820044)



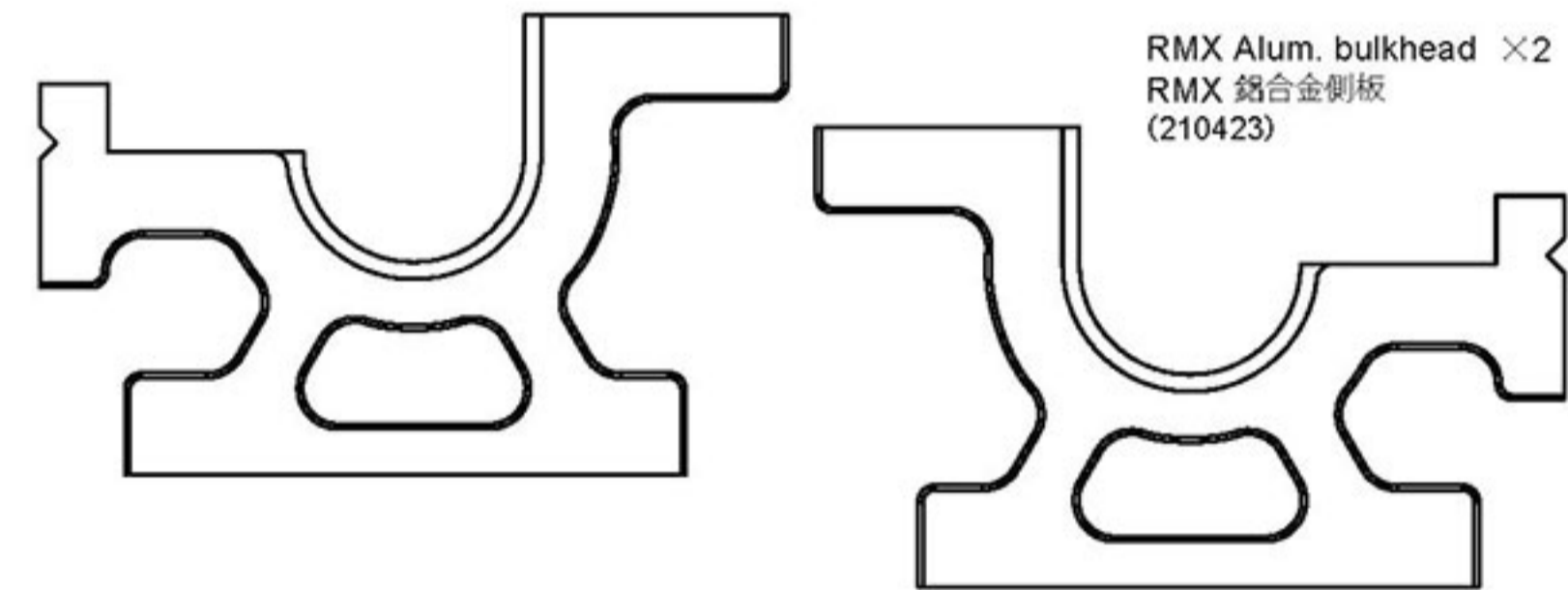
Wheel hub spacer 1.0
輪座墊片 1.0
(820049)



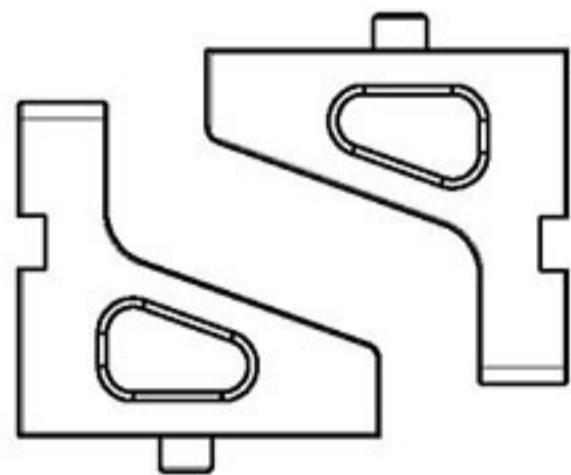
RMX Alum. rail mount
RMX 鋁合金滑軌座
(210426)



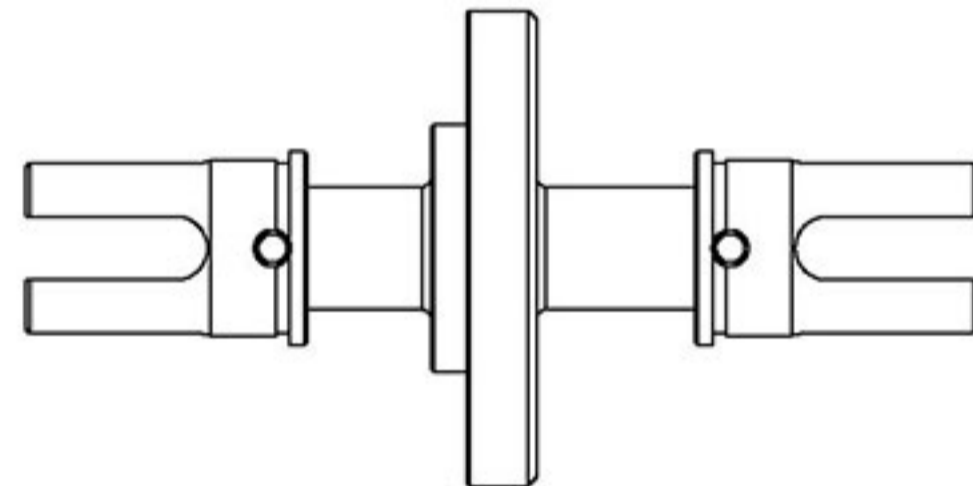
Alum. steering rail
鋁合金轉向滑軌
(210425)



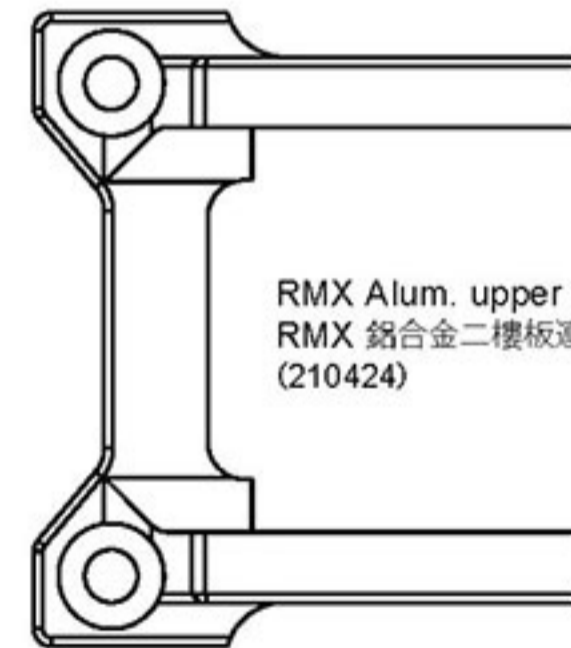
RMX Alum. bulkhead ×2
RMX 鋁合金側板
(210423)



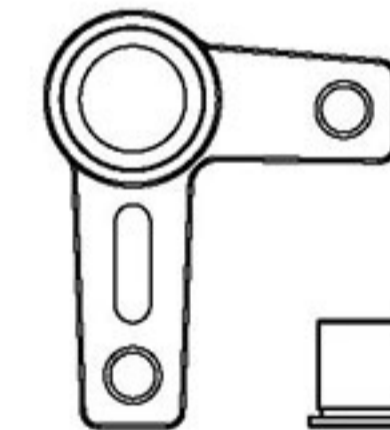
Alum. servo mount
鋁合金伺服機座
(210413)



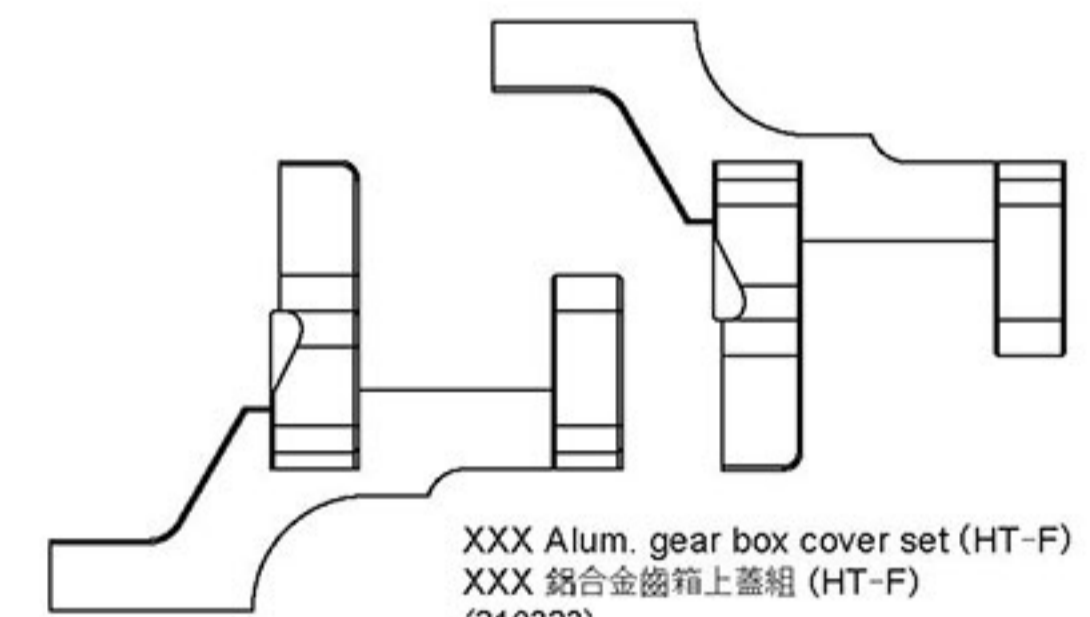
RMX Alum. solid axle set
鋁合金直軸組
(210436)



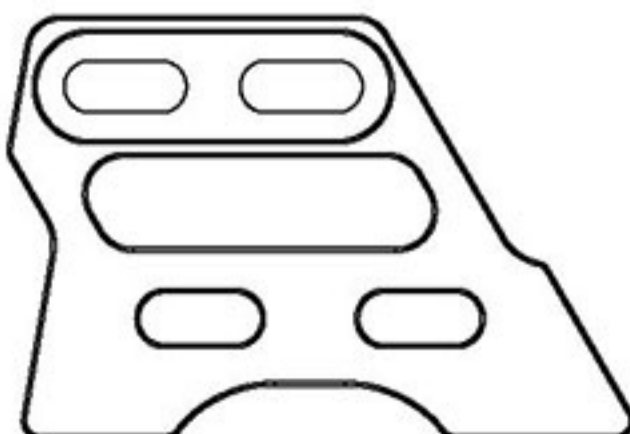
RMX Alum. upper deck connector
RMX 鋁合金二樓板連結架
(210424)



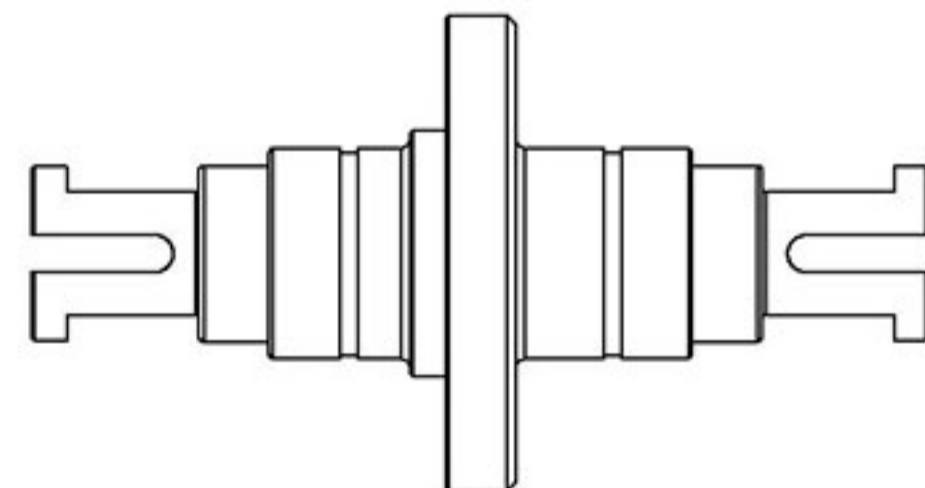
Alum. arm set
鋁合金搖臂組
(820082)



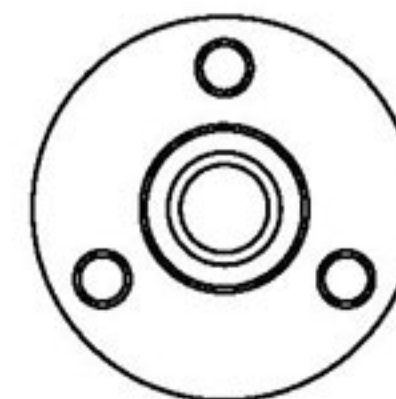
XXX Alum. gear box cover set (HT-F)
XXX 鋁合金齒箱上蓋組 (HT-F)
(210323)



RMX Alum. motor mount
RMX 鋁合金馬達座
(210428)



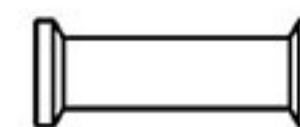
RMX Alum. one way set
鋁合金前單向組
(210435)



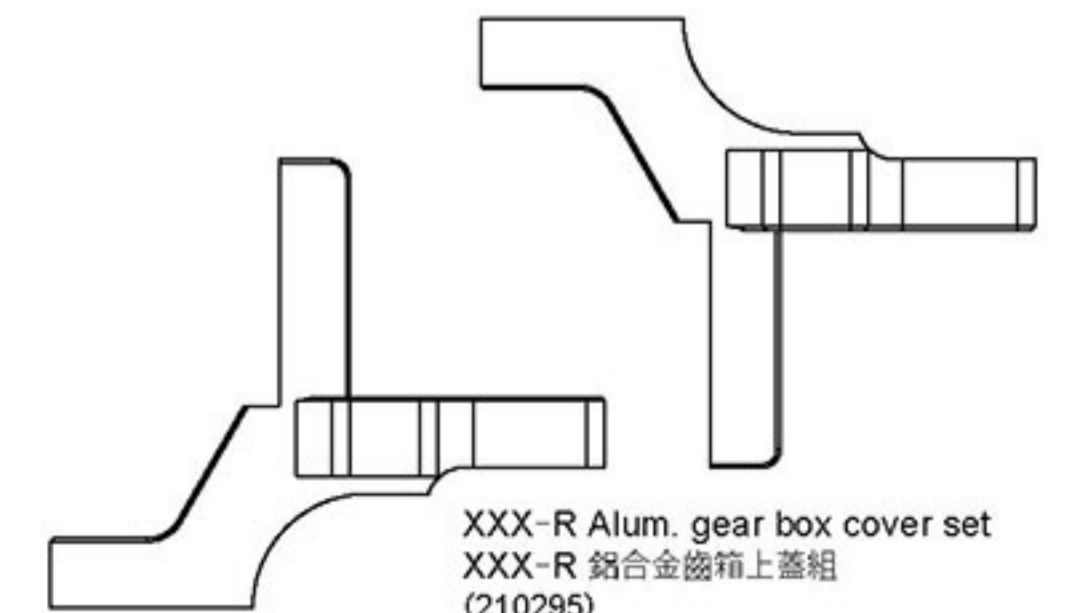
RMX Alum. spur gear holder
RMX 鋁合金齒盤座
(210429)



Alum. belt pulley ×2
鋁合金皮帶壓輪
210430

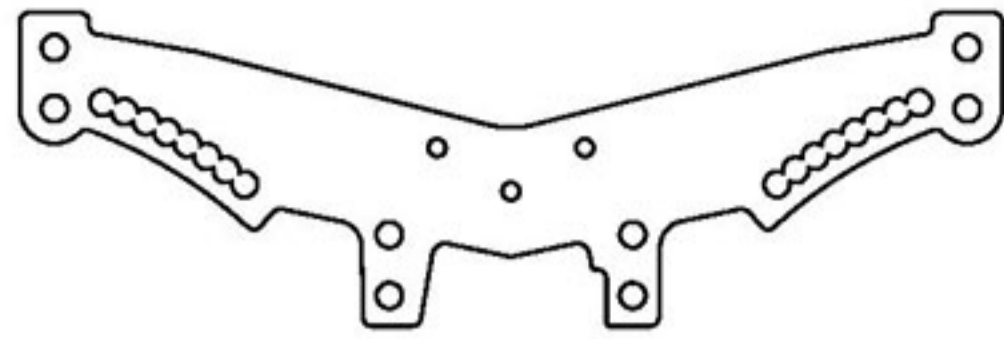


RMX Alum. strengthen post ×3
鋁合金補強柱
(210432)

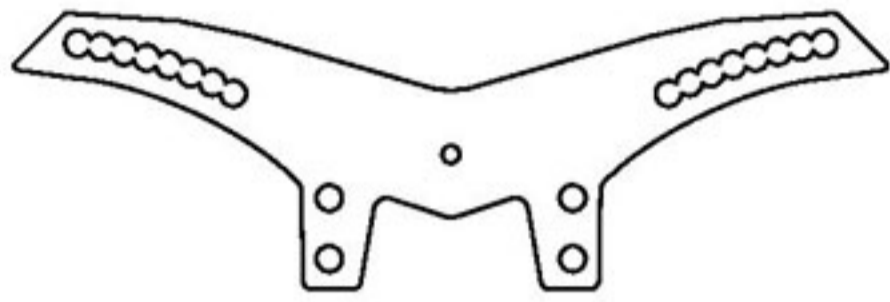


XXX-R Alum. gear box cover set
XXX-R 鋁合金齒箱上蓋組
(210295)

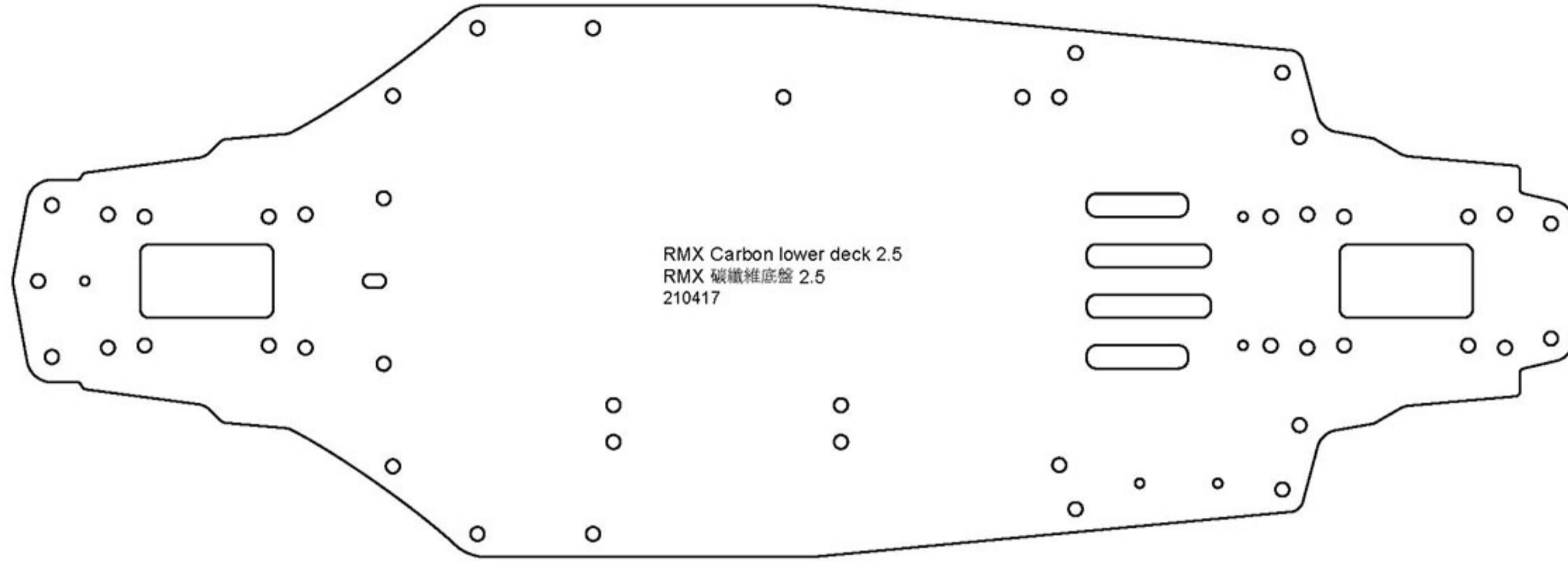
PARTS



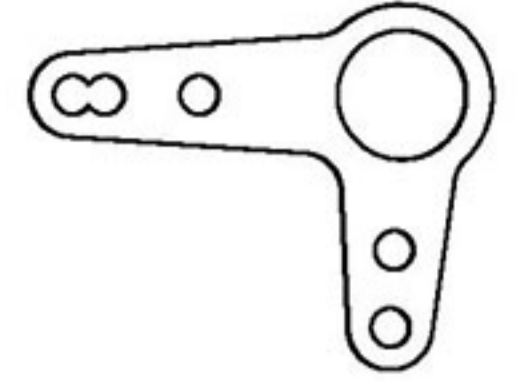
RMX Carbon rear damper stay 3.5
RMX 碳纖維後避震架 3.5
210419



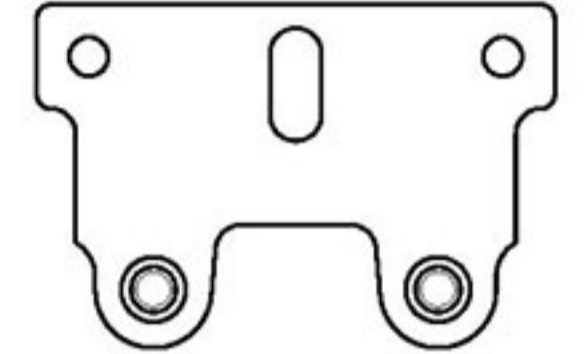
RMX Carbon front damper stay 3.5
RMX 碳纖維前避震架 3.5
210418



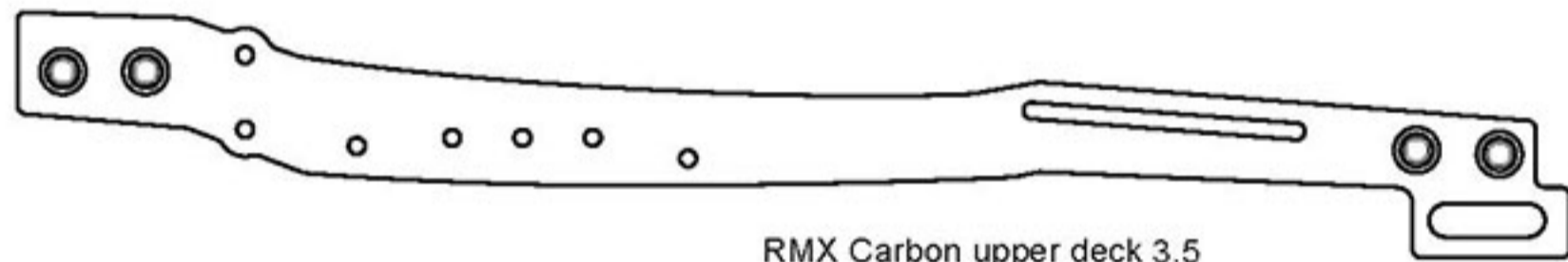
RMX Carbon lower deck 2.5
RMX 碳纖維底盤 2.5
210417



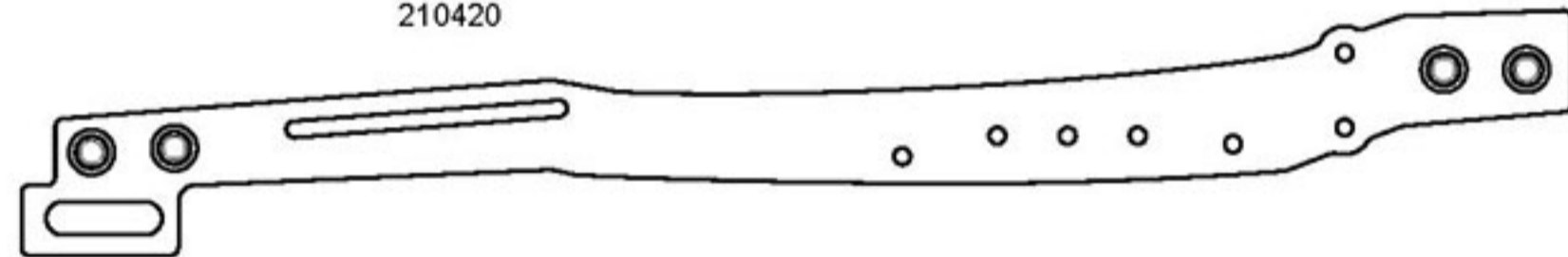
RMX Carbon steering arm extension 2.5
RMX 碳纖維搖臂延伸板 2.5
210422



RMX Carbon rail frame 2.5
RMX 碳纖維滑軌架 2.5
210421



RMX Carbon upper deck 3.5
RMX 碳纖維二樓板 3.5
210420



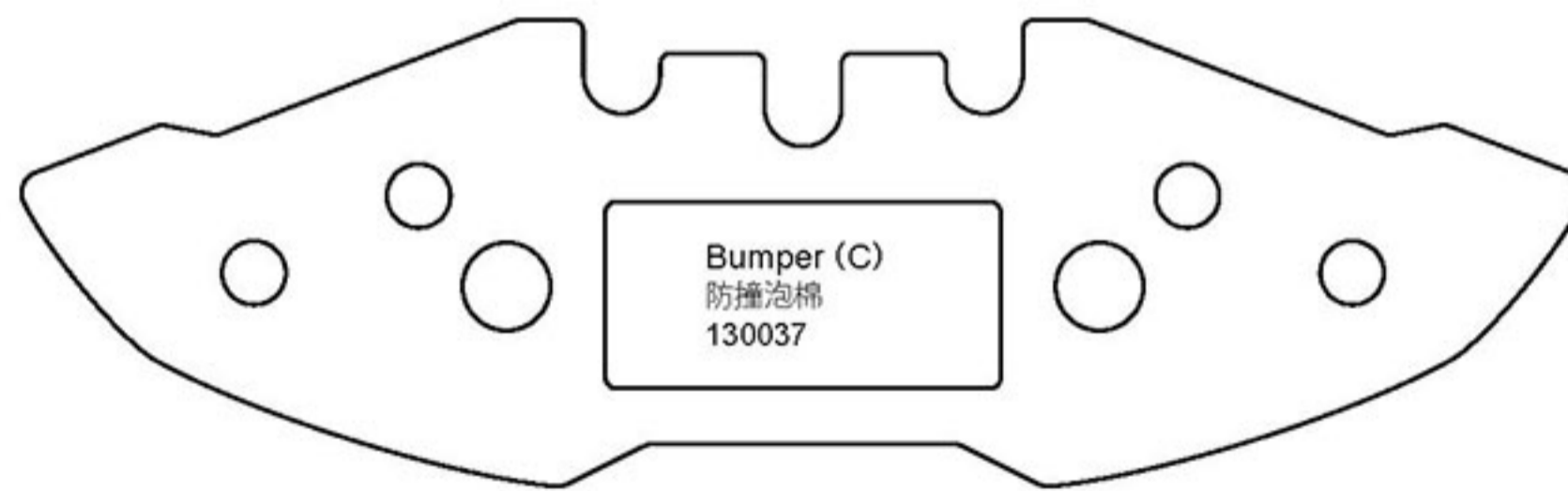
48 Steel CVD great angle universal shaft
鋼製大角度CVD傳動軸
820007



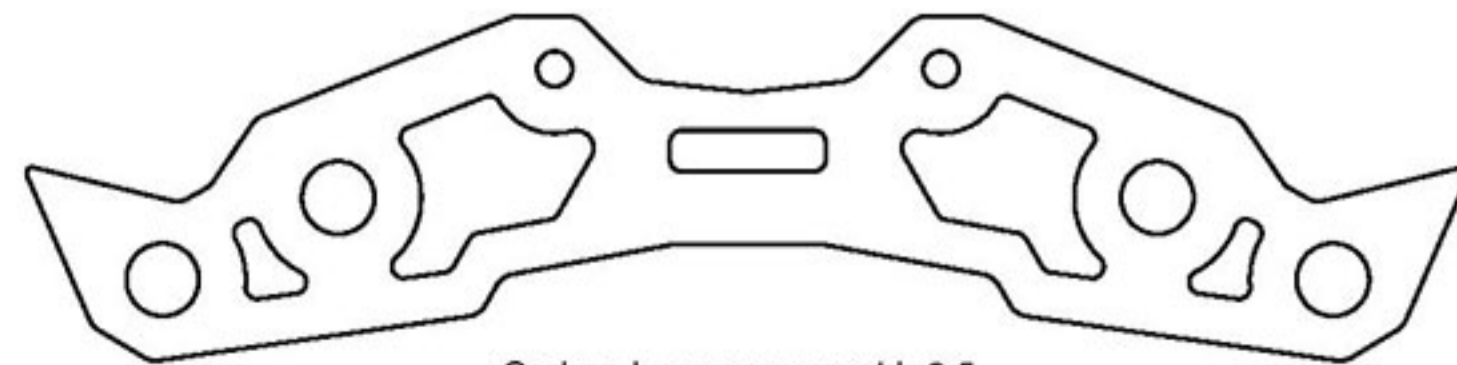
51 Steel CVD great angle universal shaft
鋼製大角度CVD傳動軸
820008



MST Balancing weights 30g
MST 配重塊 30g
820083



Bumper (C)
防撞泡棉
130037



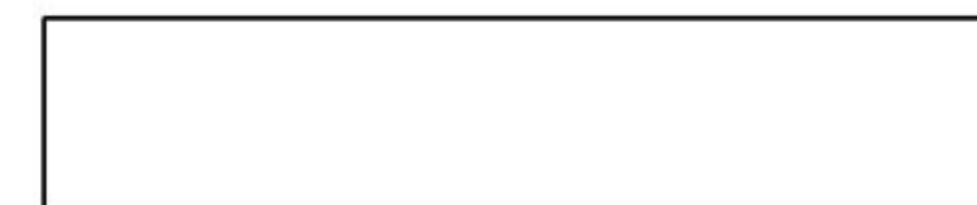
Carbon bumper support L 2.5
碳纖維泡棉壓板 L 2.5
210391



Inner sponge
吸塵泡棉
130017



Double sided tape
泡棉雙面膠
130006

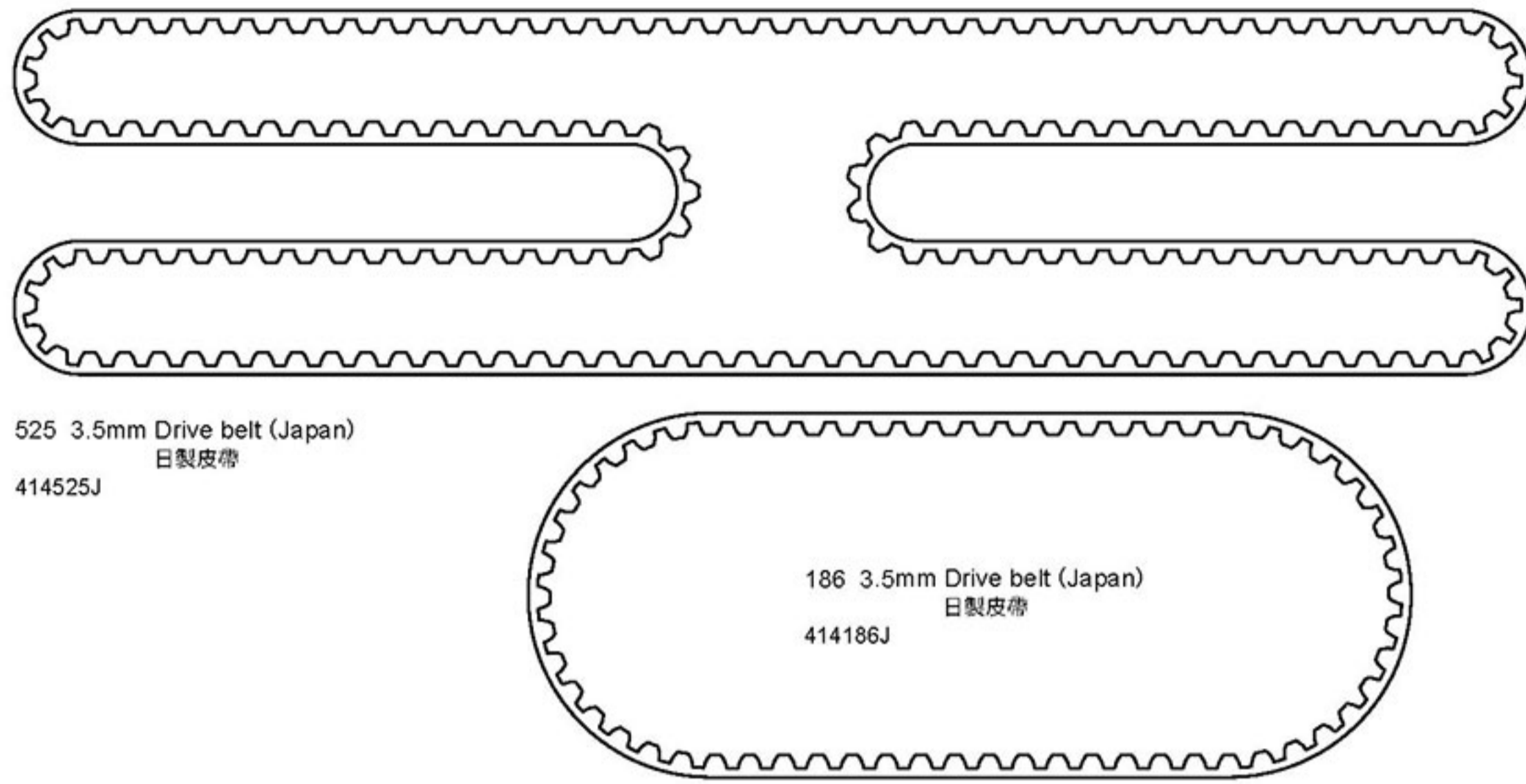


20×80×1 Sponge
吸塵泡棉
130034



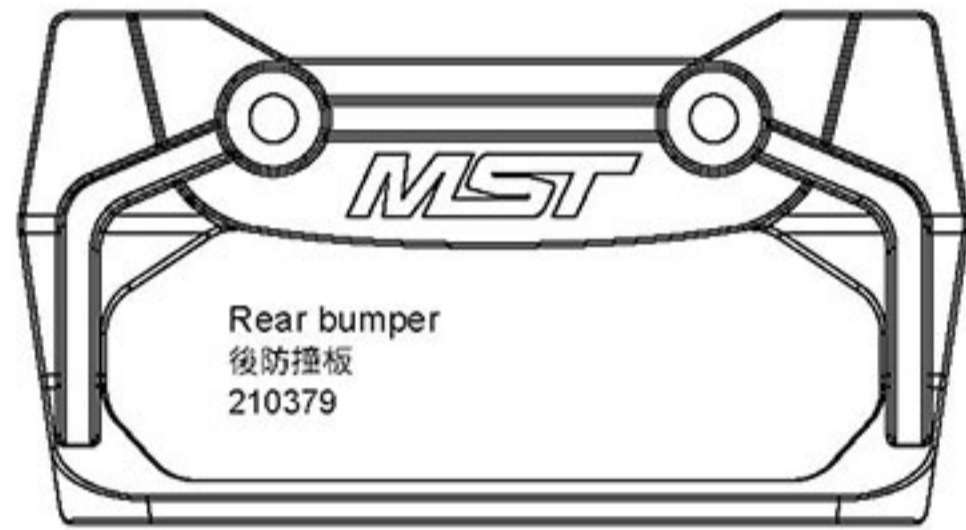
Antenna pipe
天線管
130007

PARTS

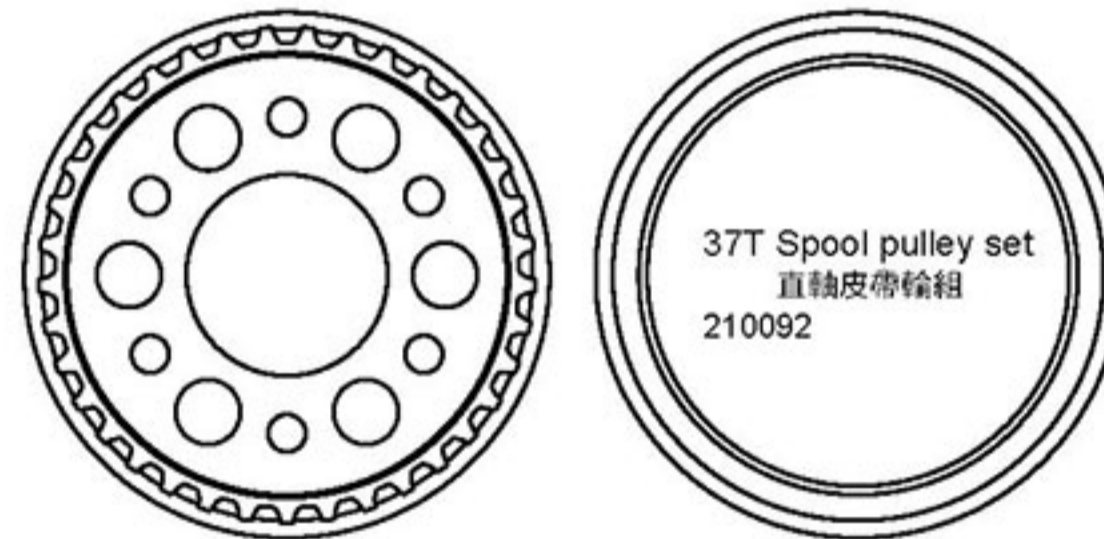


525 3.5mm Drive belt (Japan)
日製皮帶
414525J

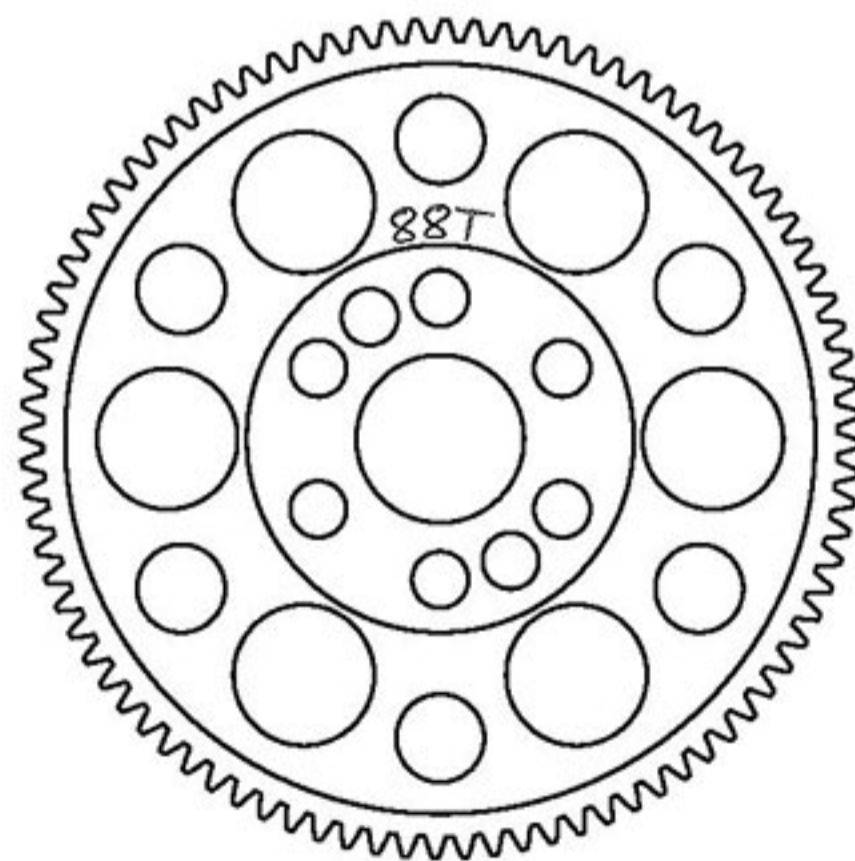
186 3.5mm Drive belt (Japan)
日製皮帶
414186J



Rear bumper
後防撞板
210379



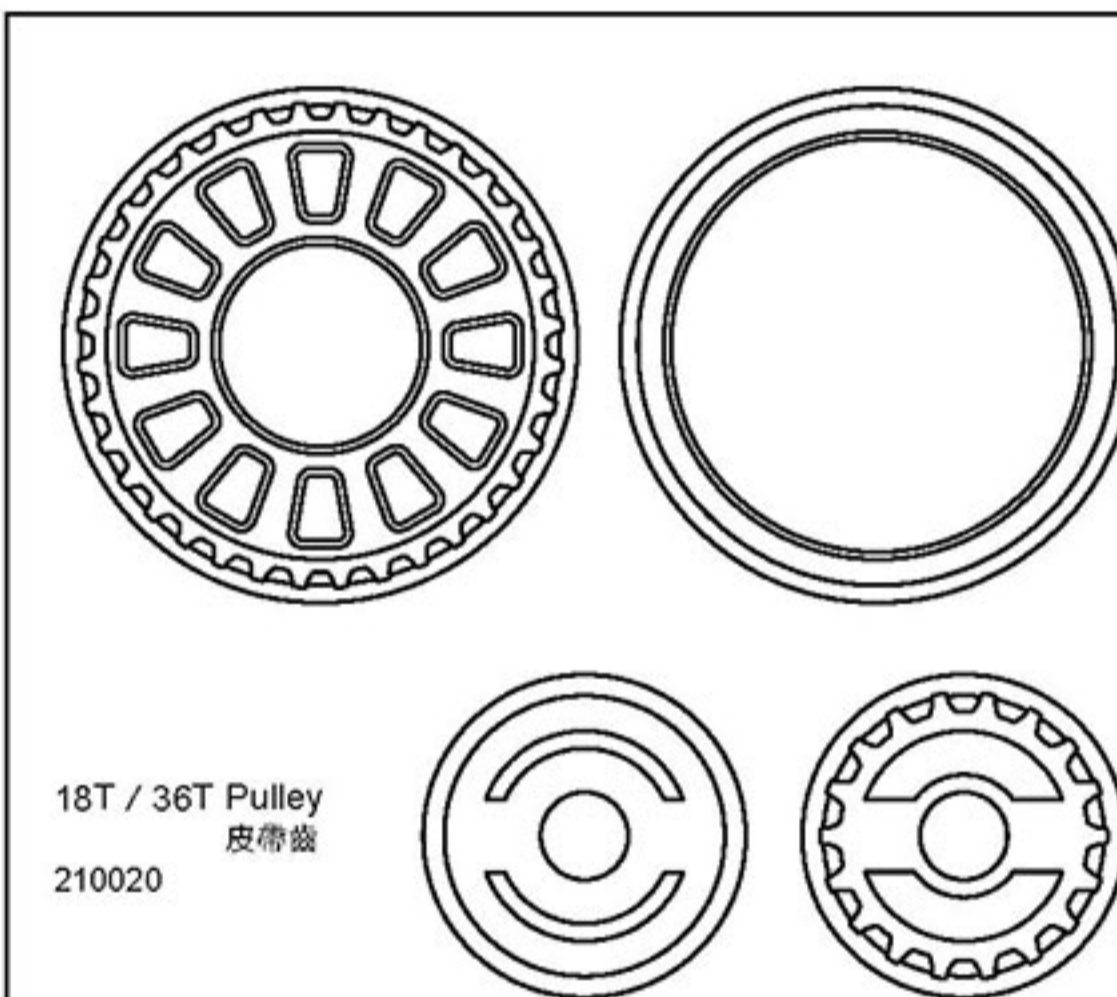
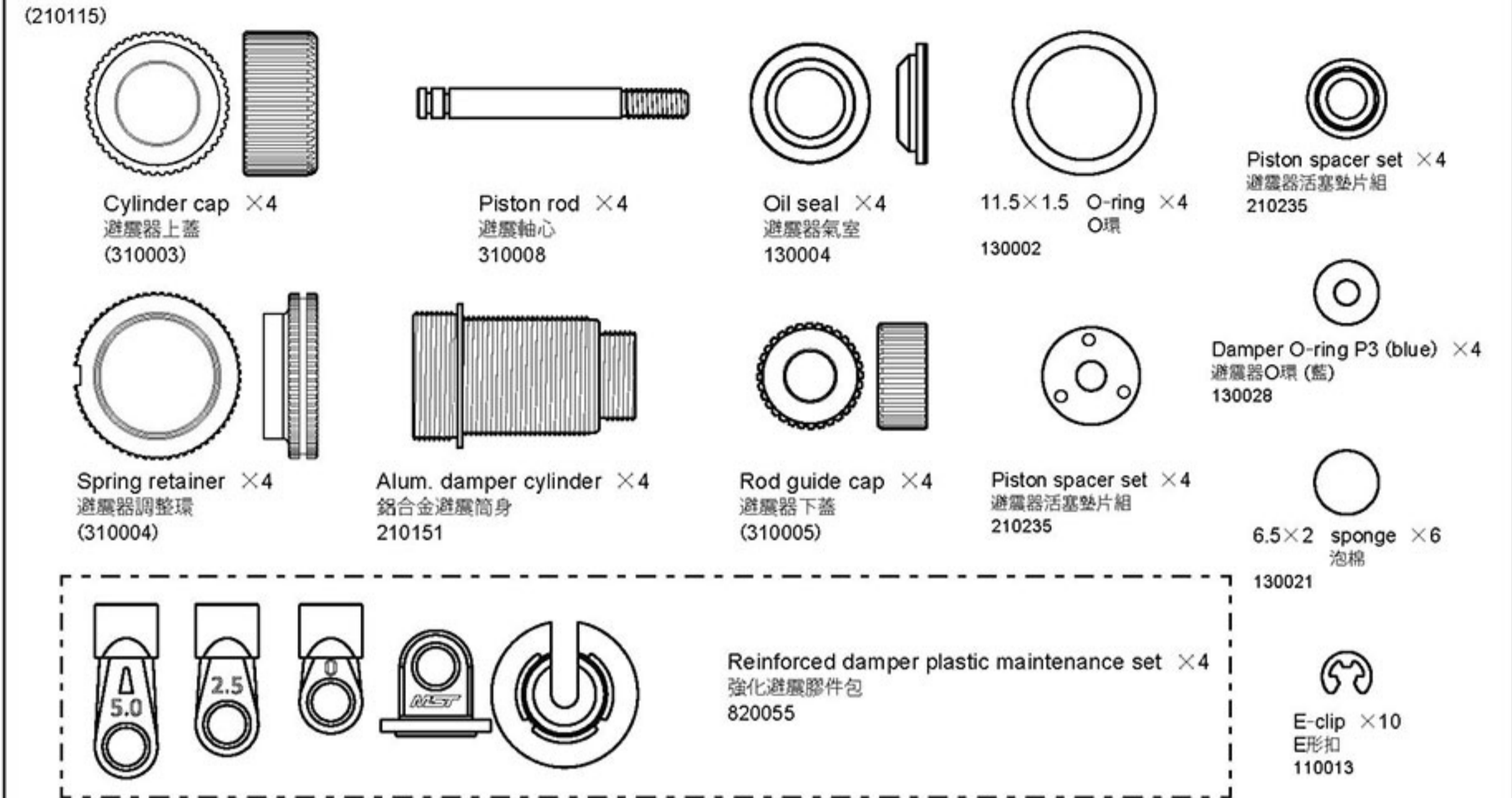
37T Spool pulley set
直軸皮帶輪組
210092



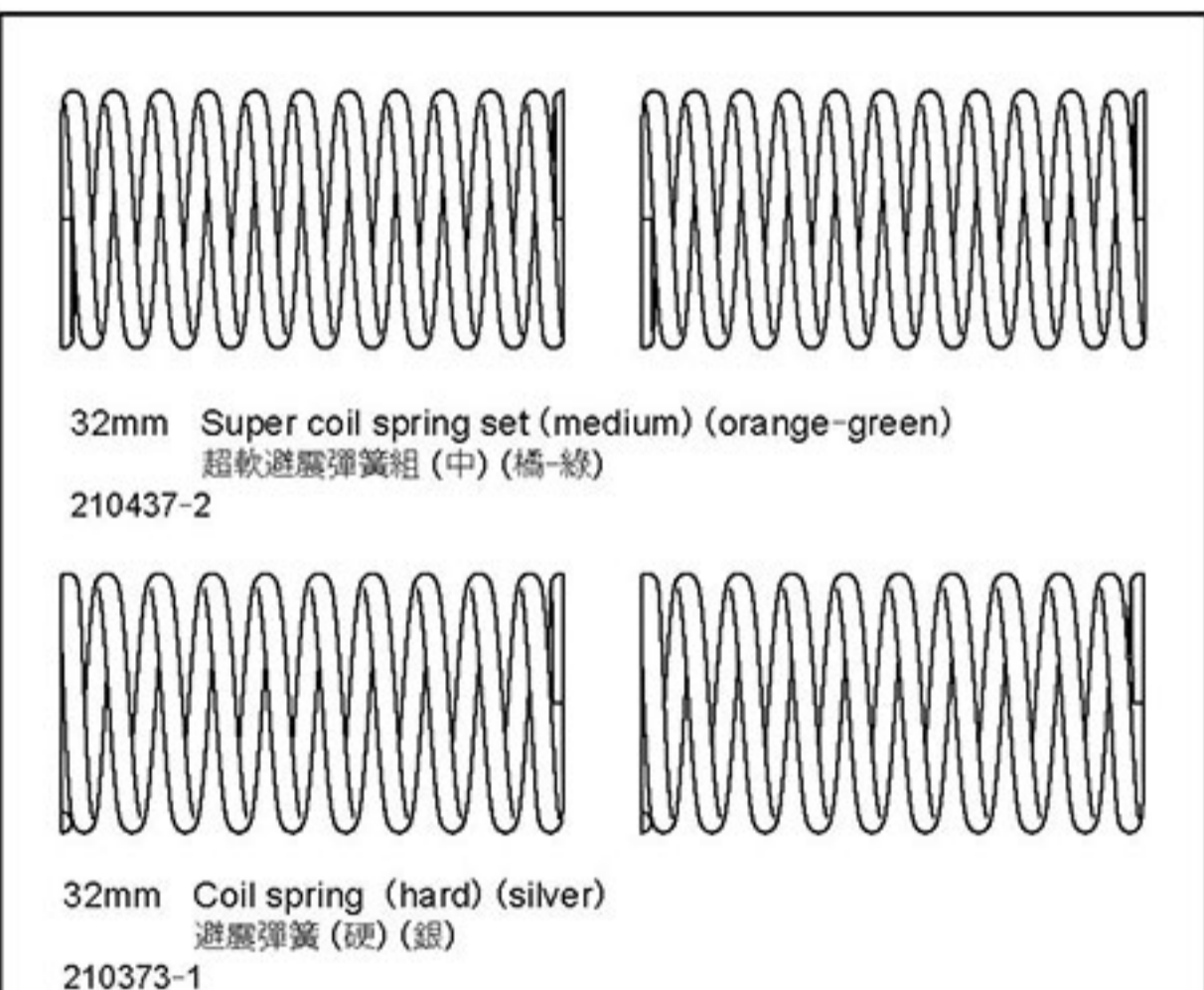
Spur gear 88T-48P
大齒盤 88T-48P
210013

48P GEAR RATIO			64P GEAR RATIO			4WD CS RATIO	
88T	2WD 37T/12T	4WD 37T/18T	116T	2WD 37T/12T	4WD 37T/18T	REAR	37T/18T (2.06)
25T	10.85	7.24	35T	10.40	6.93	FRONT	
26T	10.44	6.96	36T	10.11	6.74	36T/13T (2.77)	1 : 1.345
27T	10.05	6.70	37T	9.83	6.56	36T/12T (3.0)	1 : 1.456
28T	9.69	6.46	38T	9.57	6.38	36T/11T (3.27)	1 : 1.587
29T	9.36	6.24	39T	9.33	6.22	37T/12T (3.08)	1 : 1.495
30T	9.04	6.03	40T	9.10	6.06	37T/11T (3.36)	1 : 1.631
31T	8.75	5.84	41T	8.87	5.92	37T/10T (3.7)	1 : 1.796
32T	8.48	5.65	42T	8.66	5.78		
33T	8.22	5.48	43T	8.46	5.64		
34T	7.98	5.32	44T	8.27	5.51		
35T	7.75	5.17	45T	8.09	5.39		
36T	7.54	5.02	46T	7.91	5.27		
			47T	7.74	5.16		
			48T	7.58	5.05		
			49T	7.43	4.95		

※ Gear ratios in bolt frame are for the motor assembly way II.
表格內粗黑框為馬達安裝方式二之齒比表。

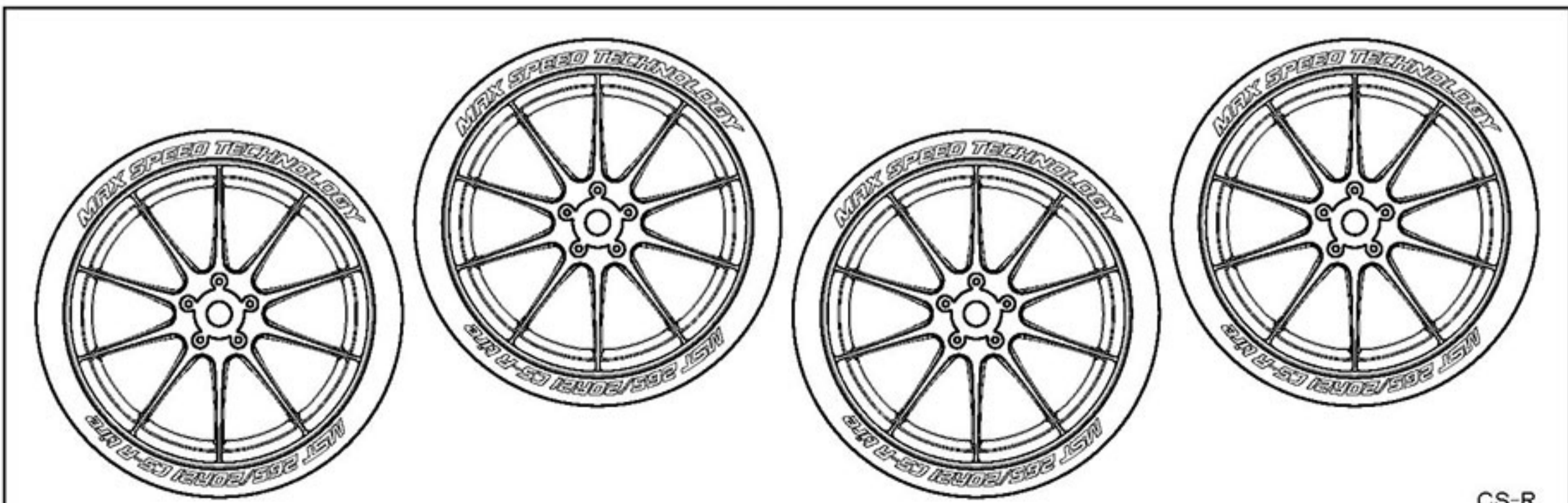


18T / 36T Pulley
皮帶齒
210020



32mm Super coil spring set (medium) (orange-green)
超軟避震彈簧組 (中) (橘-綠)
210437-2

32mm Coil spring (hard) (silver)
避震彈簧 (硬) (銀)
210373-1



CS-R

PARTS CODE

				Please add color remark for () part number. e.g. 210123P for Purple (210123)		Color	Purple		
						Remark	P		
1110001	Round head screw M3×6 (10)	120006	Ball bearing 3×7 (2)	210092	Spool pulley set 37T	(210423)	RMX Alum. Bulkhead	414186J	Drive belt 186 3.5mm (Japan)
110002	Round head screw M3×8 (10)	120011	Ball bearing 5×11 (4)	210103	One way joint (2)	(210424)	RMX Alum. upper deck connector	414525J	Drive belt 525 3.5mm (Japan)
110003	Round head screw M2.5×6 (6)	120013	Ball bearing 4×8×3 (2)	(210105)	Alum. turnbuckle 3X60	210425S	Alum. steering rail (silver)	(700003)	5.5 & 7.0 Alum. Wrench
110004	Round head screw M2×4 (6)	120016	Ball bearing 3×8×3 (2)	210111-2	Pulley 11T/12T/13T	(210426)	RMX Alum. rail mount	710001	MST-PU Sticker (4)
110005	Countersunk screw M3×8 (10)	130002	O-ring 11.5×1.5 (4)	210121-1	Swing shaft protector (4)	(210427)	RMX Alum. main shaft mount	(810007)	Alum. reinforced turnbuckle 3×20 (2)
110006	Set screw M3×5 (6)	130004	Oil seal (4)	210151	Alum. damper cylinder (4)	(210428)	RMX Alum. motor mount	(810010)	Alum. reinforced turnbuckle 3×32 (2)
110013	E-clip 2.0 (10)	130006	Double sided tape(5)	210159	Ball connector 5.8×4 (4)	(210429)	RMX Alum. spur gear holder	(810011)	Alum. reinforced turnbuckle 3×40 (2)
110017	Shaft 2×9.8 (10)	130008	Black grease	210161	Ball connector nut 4.8 (4)	210430	Alum. belt pulley	820007	Steel CVD great angle universal shaft 48 (2)
110019	Shaft 2×11.8 (5)	130009	Damper oil #300	210224	Spool joint	(210432)	RMX Alum. strengthen post (2)	820008	Steel CVD great angle universal shaft 51 (2)
110025	Tapping round head screw 2.6×10 (6)	130017	Inner sponge (8)	210235	Piston spacer set	210433	Ball connector 4.8×4.5 S (5)	(820011)	Alum. spacer 3×5.5×4.0 (5)
110026	Round head screw M3×10 (10)	130021	Sponge 6.5×2 (10)	(210272)	Alum. turnbuckle wrench 4mm	(210435)	RMX Alum. one way set	820018	Spacer 5×7×0.1 (8)
110029	Round head screw M3×12 (6)	130028	Damper O-ring P3 (blue) (10)	(210295)	XXX-R Alum. gear box cover set (silver)	(210436)	RMX Alum. solid axle set	(820026)	Alum. spacer 3×5.5×1.0 (5)
110032	Set screw M3×10 (6)	130034	Sponge 20×80×1 (4)	210321	Suspension balls 2.5×5 (8)	(210437-2)	Super soft coil spring set 32mm (medium)	(820027)	Alum. spacer 3×5.5×2.0 (5)
110035	Set screw M3×3 (6)	130035	L Wrench set (1.5 & 2.0 & 2.5)	(210323)	XXX Alum. gear box cover set (HT-F)		(orange-green) (2)	(820028)	Alum. spacer 3×5.5×3.0 (5)
110037	E-clip 4.0 (10)	130037	Bumper (C)	210326	Steel turnbuckle 3×3.5×20 (2)	310001	Ball connector 4.8×4.5 (5)	820030	Cross joint (2)
110039S	Cap screw M1.6×4 (10)	130041	O-ring 6.5×1.5 (4)	210344	Ball connector nut L 4.8 (4)	(310003)	Cylinder cap (2)	(820038)	Alum. suspension mount (+2.0)
110045	Round head screw M2×8 (partial thread) (6)	210013	Spur gear 88T- 48P	210373-1	Coil spring 32mm (hard) (silver) (2)	(310004)	Spring retainer (2)	(820044)	Alum. hex. wheel hubs 4mm (4)
110047	Spacer 3×6×0.5 (8)	210020	18T / 36T Pulley	210378	Wide balancing bumper	(310005)	Rod guide cap (2)	(820049)	Wheel hub spacer 1.0 (4)
110048	Spacer 3×8×0.5 (8)	210032	Servo horn set (23T/25T)	210379	Rear bumper	310006	Wheel axle (2)	(820054)	5.8 Ball end bush
110049	Round head screw M3×5 (10)	210033	Servo horn set (long) (23T/25T)	210381	Car body post set	310008	Piston rod (4)	820055	Reinforced damper plastic maintenance set (4)
110061	Round head screw M3×14 (6)	210047	Reinforced adjuster set 4.8×18 (8)	210391	Carbon bumper support 2.5 L	310046	Arm shaft 2.5×20 (2)	820074	Wheel nut m4 (4)
110063	Round head screw M2×8 (6)	210054	HT Lower arm	(210413)	Alum. servo mount	310047	Arm shaft 2.0×22 (2)	820075BK	R-clip 5.0 (black) (10)
110064	Round head screw M2.5×10 (6)	210058	HT Upper arm	210417	RMX Carbon lower deck 2.5	310048	Arm shaft 2.5×46 (4)	820081	Adjuster set 5.8 (4)
110066S	Cap screw M1.6×6 (10)	210060	KPI Upright set	210418	RMX Carbon front damper stay 3.5	310057	RMX Belt pulley shaft (short)	(820082)	Alum. arm set
110067	Set screw M2.5×2.5 (6)	210061	HT Upper arm spacer	210419	RMX Carbon rear damper stay 3.5	310058	RMX Belt pulley shaft (long)	820083	MST Balancing weights 30g
120001	Ball bearing 10×15 (4)	210070	HT Rear lower arm (4 holes) & wheel hub	210420	RMX Carbon upper deck 3.5	310059	Bolster post M3×6×8 (2)	(820084)	Alum. suspension mount (-1.0)
120002	Ball bearing 5×10 (4)	210088	RMX Electronic device accessory	210421	RMX Carbon rail frame 2.5	310060	Bearing bush 3×4×1 (4)		
120003	Ball bearing 5×8 (4)	210090	Idler gear M0.6 25T (2)	210422	RMX Carbon steering arm extension 2.5	310061	Universal adjusting mount (2)		

OPTION PARTS CODE

210143	Alum. wheel hubs 6mm (brake disc shaped)	210439	MST Rear balancing diffuser	(820048)	Wheel hub spacer 0.5 (4)	(820060)	HT Alum. front lower arm set	820071	Machined piston 3×1.0 (4)
(210354)	HT Alum. rear upright (2)	(820029)	KPI Alum. upright (2)	(820050)	Alum. damper retainer (4)	(820063)	Suspension mount spacer 0.5mm (4)	820072	Machined piston 6×0.6 (4)
210373	Coil spring set 32mm (8)	(820043)	Alum. hex. wheel hubs 5mm (4)	(820053)	Adjustable damper caps (4)	(820064)	HT Alum. rear lower arm set	(820080)	Alum. adjustable body post (2)
(210400)	Alum. bumper support L	820045	Low rebounded damper cap	(820057)	Adjustable alum. suspension mount (-0.5--+1.0)	(820068)	Alum. 3 wires clamps	820085	MST Balancing weights 10g
210431	RMX Alum. ball diff. set	(820046)	Alum. damper retainer (lower type) (4)	(820058)	Adjustable alum. suspension mount (+1.5--+3.0)	(820069)	Alum. 4 wires clamps	(820086)	Alum. 8-adjusting servo saver
210437	Super soft coil spring set 32mm (8)	820047	MST Balancing weights 3.5g (4)	820059	Suspension mount spacer 0.2mm (10)	820070	Machined piston 3×0.8 (4)		

部品編號

				請增加顏色標示在 () 編號 例: 210123P for 紫色 (210123)		顏色	紫		
						標示	P		
110001	六角半圓頭螺絲 M3×6 (10)	120006	培林 3×7 (2)	210092	直軸皮帶輪組 37T	(210423)	RMX 鋁合金側板	414525J	日製皮帶 525 3.5mm
110002	六角半圓頭螺絲 M3×8 (10)	120011	培林 5×11 (4)	210103	前單向接杯 (2)	(210424)	RMX 鋁合金二樓板連結架	(700003)	5.5 & 7.0 鋁合金套筒工具
110003	六角半圓頭螺絲 M2.5×6 (6)	120013	培林 4×8×3 (2)	(210105)	鋁製可調拉桿 3×60	210425S	鋁合金轉向滑軌 (銀)	710001	MST-PU貼紙 (4)
110004	六角半圓頭螺絲 M2×4 (6)	120016	培林 3×8×3 (2)	210111-2	皮帶齒 11T/12T/13T	(210426)	RMX 鋁合金滑軌座	(810007)	鋁合金強化可調拉桿 3×20 (2)
110005	六角沉頭螺絲 M3×8 (10)	130002	O環 11.5×1.5 (4)	210121-1	傳動軸軸套 (4)	(210427)	RMX 鋁合金主軸座	(810010)	鋁合金強化可調拉桿 3×32 (2)
110006	六角止付螺絲 M3×5 (6)	130004	避震氣室 (4)	210151	鋁合金避震筒身 (4)	(210428)	RMX 鋁合金馬達座	(810011)	鋁合金強化可調拉桿 3×40 (2)
110013	E扣 2.0 (10)	130006	泡棉雙面膠 (5)	210159	球頭螺絲 5.8×4 (4)	(210429)	RMX 鋁合金齒盤座	820007	鋼製大角度CVD傳動軸 48 (2)
110017	插銷 2×9.8 (10)	130008	黑色油膏	210161	球頭螺帽 4.8 (4)	210430	鋁合金皮帶壓輪	820008	鋼製大角度CVD傳動軸 51 (2)
110019	插銷 2×11.8 (5)	130009	避震油 #300	210224	直軸接杯組	(210432)	RMX 鋁合金補強柱 (2)	(820011)	鋁墊片 3×5.5×4.0 (5)
110025	自攻六角半圓頭螺絲 2.6×10 (6)	130017	吸震泡棉 (8)	210235	避震器活塞墊片組	210433	內六角公球頭 4.8×4.5 S (5)	820018	墊片 5×7×0.1 (8)
110026	六角半圓頭螺絲 M3×10 (10)	130021	泡棉 6.5×2 (10)	(210272)	鋁合金拉桿扳手 4mm	(210435)	RMX 鋁合金前單向組	(820026)	鋁墊片 3×5.5×1.0 (5)
110029	六角半圓頭螺絲 M3×12 (6)	130028	阻尼器O環 P3 (藍) (10)	(210295)	XXX-R 鋁合金齒箱上蓋組 (銀)	(210436)	RMX 鋁合金直軸組	(820027)	鋁墊片 3×5.5×2.0 (5)
110032	六角止付螺絲 M3×10 (6)	130034	吸震泡棉 20×80×1 (4)	210321	插銷球頭 2.5×5 (8)	210437-2	超軟避震彈簧組 32mm (中) (橘-綠) (2)	(820028)	鋁墊片 3×5.5×3.0 (5)
110035	六角止付螺絲 M3×3 (6)	130035	L 板手組 (1.5 & 2.0 & 2.5)	(210323)	XXX 鋁合金齒箱上蓋組 (HT-F)	310001	內六角公球頭 4.8×4.5 (5)	820030	連接軸 (2)
110037	E扣 4.0 (10)	130037	防撞泡棉 (C)	210326	鋼製可調螺桿 3×3.5×20 (2)	(310003)	避震器上蓋 (2)	(820038)	鋁合金擺臂座 (+2.0)
110039S	六角有頭螺絲 M1.6×4 (10)	130041	O環 6.5×1.5 (4)	210344	球頭螺帽 L 4.8 (4)	(310004)	避震器調整環 (2)	(820044)	鋁合金六角輪座 4mm (4)
110045	六角半圓頭螺絲 M2×8 (半牙) (6)	210013	大齒盤 88T- 48P	210373-1	避震彈簧 32mm (硬) (銀) (2)	(310005)	避震器下蓋 (2)	(820049)	輪座墊片 1.0 (4)
110047	墊片 3×6×0.5 (8)	210020	皮帶齒18-36	210378	寬形配重防撞板	310006	萬向接杯 (2)	(820054)	5.8 球頭襯套
110048	墊片 3×8×0.5 (8)	210032	伺服機舵片組 (23T/25T)	210379	後防撞板	310008	避震軸心 (4)	820055	強化避震膠件包 (4)
110049	六角半圓頭螺絲 M3×5 (10)	210033	伺服機舵片組-長 (23T/25T)	210381	車殼支柱組	310046	擺臂插銷 2.5×20 (2)	820074	輪框螺帽 M4 (4)
110061	六角半圓頭螺絲 M3×14 (6)	210047	強化拉桿頭組 4.8×18 (8)	210391	碳纖維泡棉壓板 L 2.5	310047	擺臂插銷 2.0×22 (2)	820075BK	R銷 5.0 (黑) (10)
110063	六角半圓頭螺絲 M2×8 (6)	210054	HT 下擺臂	(210413)	鋁合金伺服機座	310048	擺臂插銷 2.5×46 (4)	820081	調整式拉桿頭組 5.8 (4)
110064	六角圓頭螺絲 M2.5×10 (6)	210058	HT 上擺臂	210417	RMX 碳纖維底座 2.5	310057	RMX 皮帶齒短軸	(820082)	鋁合金搖臂組
110066S	六角有頭螺絲 M1.6×6 (10)	210060	KPI 輪座組	210418	RMX 碳纖維前避震架 3.5	310058	RMX 皮帶齒長軸	820083	MST 配重塊 30g
110067	六角止付螺絲 M2.5×2.5 (6)	210061	HT 上擺臂墊片	210419	RMX 碳纖維後避震架 3.5	310059	墊高柱 M3×6×8 (2)	(820084)	鋁合金擺臂座 (-1.0)
120001	培林 10×15 (4)	210070	HT 後下擺臂 (4孔) & 輪座	210420	RMX 碳纖維二樓板 3.5	310060	培林襯套 3×4×1 (4)		
120002	培林 5×10 (4)	210088	RMX 電裝配件	210421	RMX 碳纖維滑軌架 2.5	310061	通用型調整座 (2)		
120003	培林 5×8 (4)	210090	惰輪 M0.6 25T (2)	210422	RMX 碳纖維搖臂延伸板 2.5	414186J	日製皮帶 186 3.5mm		

改裝品編號

210143	鋁合金六角輪座 6mm (煎車碟型)	210439	MST 後下配重擾流板	(820048)	輪座墊片 0.5 (4)	(820060)	HT 鋁合金前下擺臂組	820071	切削避震活塞 3×1.0 (4)
(210354)	HT 鋁合金後輪座 (2)	(820029)	KPI 鋁合金輪座 (2)	(820050)	鋁合金彈簧座 (4)	(820063)	擺臂座墊片 0.5mm (4)	820072	切削避震活塞 6×0.6 (4)
210373	避震彈簧組 32mm (8)	(820043)	鋁合金六角輪座 5mm (4)	(820053)	長度可調避震上蓋組 (4)	(820064)	HT 鋁合金後下擺臂組	(820080)	鋁合金可調式車殼支柱 (2)
(210400)	鋁合金防撞板上蓋 L	820045	無氣室上蓋	(820057)	可調式鋁合金擺臂座 (-0.5--+1.0)	(820068)	3線鋁合金集線器	820085	MST 配重塊 10g
210431	RMX 鋁合金滾差組	(820046)	鋁合金彈簧座 (降低型) (4)	(820058)	可調式鋁合金擺臂座 (+1.5--+3.0)	(820069)	4線鋁合金集線器	(820086)	鋁合金8段調整緩衝組
210437	超軟避震彈簧組 32mm (8)	820047	MST 配重塊 3.5g (4)	820059	擺臂座墊片 0.2mm (10)	820070	切削避震活塞 3×0.8 (4)		

MST
MAX SPEED TECHNOLOGY

RMX-D VIP 4WD

1/10 SCALE RC 4WD HIGH PERFORMANCE DRIFT CAR

**EXPLODED
MANUAL**

www.rc-mst.com

[facebook.com/MST.tw]



Max Speed Technology

